

PARTS LIST

[MX-J570V]

[MX-J680V]

* All printed circuit boards and its assemblies are not available as service parts.

Area suffix	
UT	Taiwan

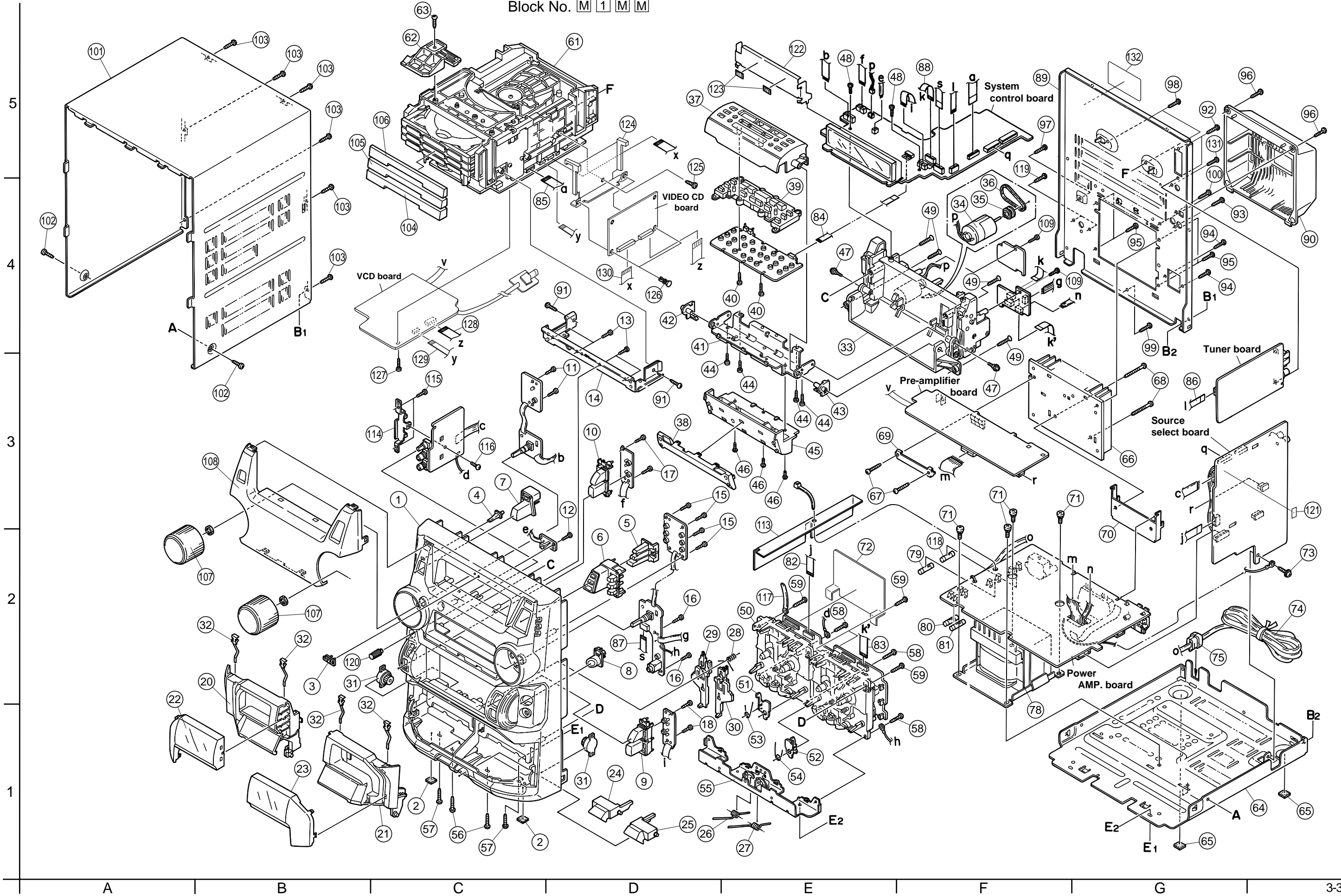
- Contents -

Exploded view of general assembly and parts list	3-3
CD changer mechanism assembly and parts list	3-6
CD mechanism assembly and parts list	3-8
Cassette mechanism assembly and parts list	3-9
Electrical parts list	3-13
Packing materials and accessories parts list	3-28

-MEMO-

Exploded view of general assembly and parts list

Block No. **M 1 M M**



■ Parts list (General assembly)

Block No. M1MM

△	Item	Parts number	Parts name	Q'ty	Description	Area
	1	GV10027-004A	FRONT PANEL	1	MX-J680V	
		GV10027-002A	FRONT PANEL	1	MX-J570V	
	2	E75896-001	FELT SPACER	2		
	3	GV40077-001A	JVC BADGE	1		
	4	GV40080-001A	STBY.INDICATOR	1		
	5	GV20056-001A	CD EJECT BUTTON	1		
	6	GV20057-002A	CD BUTTON	1		
	7	GV30087-001A	POWER BUTTON	1	ON/STANDBY MARK	
	8	GV30088-001A	PUSH BUTTON	1		
	9	GV20049-004A	SOURCE BUTTON(A)	1	CD/TUNER MARK	
	10	GV20050-002A	SOURCE BUTTON(B)	1	TAPE/AUX MARK	
	11	QYSDSF2608Z	SCREW	2	POWER BOARD	
	12	QYSDSF2608Z	SCREW	1	REMOTE SENSOR	
	13	QYSDSF2608Z	SCREW	4	STY.BKT+F.PANEL	
	14	GV30082-001A	STAY BRACKET	1		
	15	QYSDSF2608Z	SCREW	4	CD SWITCH BOARD	
	16	QYSDSF2608Z	SCREW	2	VOLUME BOARD	
	17	QYSDSF2608Z	SCREW	2	CD/TUNER S.BOARD	
	18	QYSDSF2608Z	SCREW	2	TAPE/AUX S.BOARD	
	20	GV10029-002A	CASS.HOLDER(L)	1	MX-J680V	
		GV10029-001A	CASS.HOLDER(L)	1	MX-J570V	
	21	GV10030-002A	CASS.HOLDER(R)	1	MX-J680V	
		GV10030-001A	CASS.HOLDER(R)	1	MX-J570V	
	22	GV20053-001A	CASS LENS (L)	1		
	23	GV20054-001A	CASS LENS (R)	1		
	24	GV30077-001A	EJECT BUTTON(A)	1		
	25	GV30078-001A	EJECT BUTTON(B)	1		
	26	FMKW4009-001	HOLDER SPRING(A)	1	MX-J680V	
		FMKW4009-002	HOLDER SPRING(A)	1	MX-J570V	
	27	FMKW4010-001	HOLDER SPRING(B)	1	MX-J680V	
		FMKW4010-002	HOLDER SPRING(B)	1	MX-J570V	
	28	FMKW4011-001	SPRING	1	FOR EJECT LEVER	
	29	FMKS3002-003	EJECT LEVER(A)	1		
	30	FMKS3003-003	EJECT LEVER(B)	1		
	31	GV40034-001A	DAMPER ASSY	2		
	32	VKY4180-401	CASSETTE SPRING	4		
	33	GV10014-006A	CASE ASSY	1		
	34	MXN-13FB12F	DC MOTOR	1		
	35	GV40022-001A	MOTOR PULLEY	1		
	36	GV30038-001A	CAPSTAN BELT	1		
	37	GV30086-007A	MOVING PANEL(A)	1	MX-J570V	
		GV30086-009A	MOVING PANEL(A)	1	MX-J680V	
	38	GV30089-001A	PANEL PLATE	1		
	39	GV20058-003A	CONTROL BUTTON	1		
	40	QYSDSF2608Z	SCREW	2		
	41	GV30042-002A	PANEL BRACKET	1		
	42	GV40028-001A	PANEL HOLDER(L)	1		
	43	GV40028-002A	PANEL HOLDER(R)	1		

■ Parts list (General assembly)

Block No. M1MM

△	Item	Parts number	Parts name	Q'ty	Description	Area
	44	QYSDSF2608Z	SCREW	4	S.BRD./C.BTN.ASS'Y	
	45	GV20059-001A	MOVING PANEL(B)	1	MX-J570V	
		GV20059-002A	MOVING PANEL(B)	1	MX-J680V	
	46	QYSBST2606Z	T.SCREW	3	M.PNL B/PNL BKT	
	47	VKZ4341-204	SPECIAL SCREW	2	ARM CASE/PNL BKT	
	48	QYSDSF2608Z	SCREW	2	FL BOARD / CASE	
	49	QYSSSF3012Z	TAP SCREW	4	MOVING PNL./F.P	
	50	-----	CASSETTE MECHA	1		
	51	FMKL4012-004	EJECT SAFETY(A)	1		
	52	FMKL4013-001	EJECT SAFETY(B)	1		
	53	FMKW4007-001	SPRING (A)	1	EJECT SAFETY(A)	
	54	FMKW4008-001	SPRING (B)	1	EJECT SAFETY(B)	
	55	GV20055-001A	HOLDER BRACKET	1		
	56	QYSBSG3010Z	T.SCREW	2	F.P.TO H.BRKT.	
	57	QYSBSG3010Z	T.SCREW	2	F.P.TO CHS.BASE	
	58	QYSBSG3010Z	T.SCREW	3	MECHA & H.BRKT.	
	59	QYSBSF3012Z	SCREW	4	MECHA & F.PANEL	
	61	-----	3VCD MECHA UNIT	1		
	62	E309662-001SM	DISC STOPPER	1		
	63	QYSBSF3008Z	SCREW	1	FOR DISC STOPPER	
	64	GV10025-001A	CHASSIS BASE	1		
	65	E75896-006	FELT SPACER	2	CHAS.BASE FOOT	
	66	GV30083-001A	HEAT SINK	1		
	67	QYSBSG3014Z	T.SCREW	2	FOR LEAF SPRING	
	68	QYSBSG3020E	TAP SCREW	2	FOR IC BRACKET	
	69	GV40029-001A	LEAF SPRING	1		
	70	GV30080-001A	IC BRACKET	1		
	71	QYSDSTL4008Z	SPECIAL SCREW	4		
	72	GV30124-001A	TRANSF.SHIELD	1		
	73	QYSBSGG3008E	T.SCREW	1	M.BOARD & C.BASE	
△	74	QMPR110-200-JN	POWER CORD	1		
	75	QZW0033-001	STRAIN RELIEF	1		
△	78	QQT0276-004	TRANSFORMER	1	T001	
△	79	QMF51E2-3R15-J1	FUSE	1	F001	
△	80	QMF51E2-3R15-J1	FUSE	1	F101	
△	81	QMF51E2-3R15-J1	FUSE	1	F102	
	82	QUQ412-1028CJ	FFC WIRE	1	FC315	
	83	QUQ412-1112DJ	FFC WIRE	1	FC869	
	84	QUQ610-0915BJ	FFC WIRE	1	FC879	
	85	QUQ110-1908BJ	FFC WIRE	1	FC868	
	86	QUQ412-0917CJ	FFC WIRE	1	FC865	
	87	QUQ412-1112DJ	FFC WIRE	1	FC880	
	88	QUQ412-1112DJ	FFC WIRE	1	FC906	
	89	GV10026-031A	REAR PANEL	1	MX-J680V	
		GV10026-029A	REAR PANEL	1	MX-J570V	
	90	E207356-002SM	REAR COVER	1		
	91	QYSBSF3010Z	SCREW	2	C3 / STAY BRKT.	
	92	QYSBSGY3008M	SPECIAL SCREW	2	ANTENA/R.PANEL	

■ Parts list (General assembly)

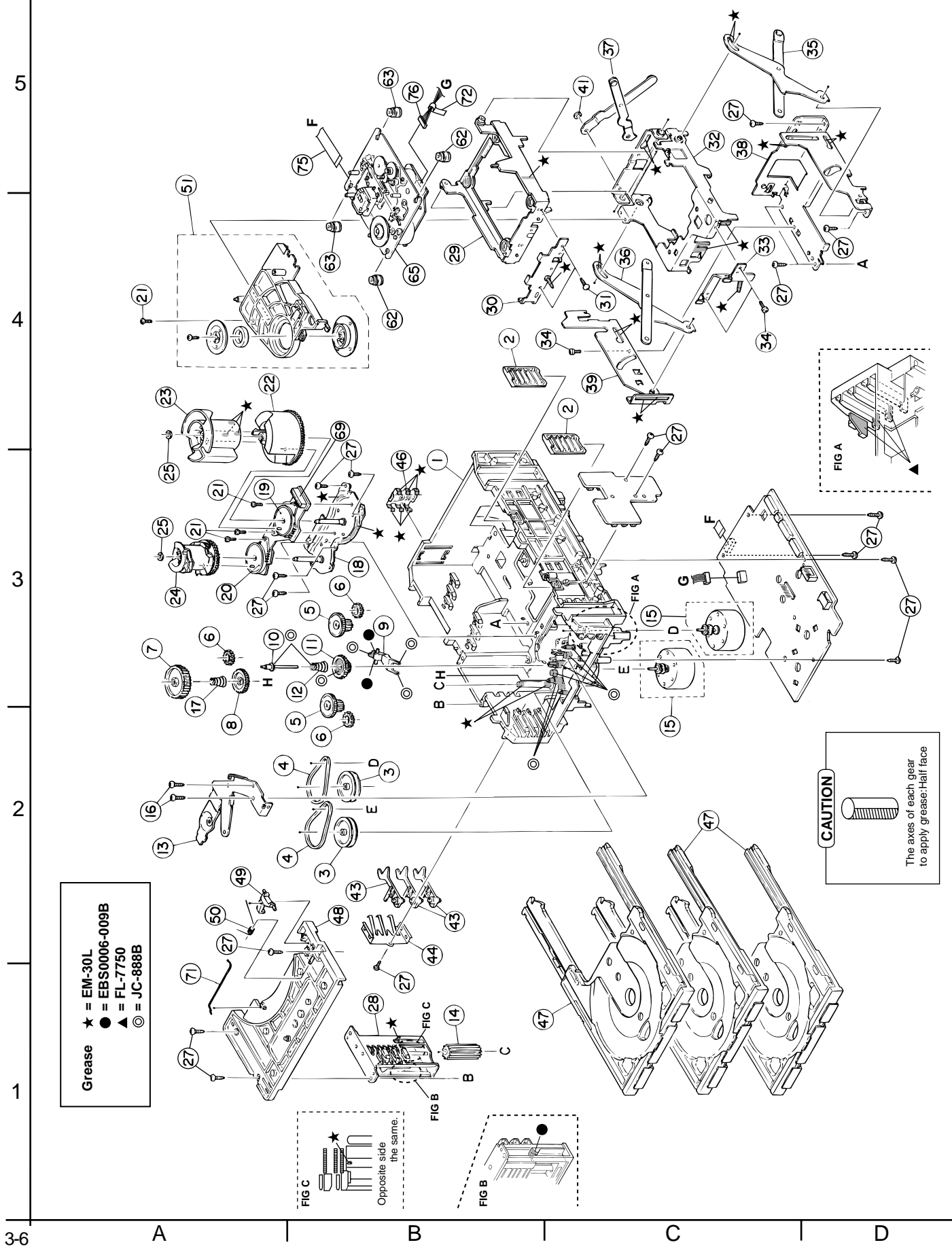
Block No. M1MM

▲	Item	Parts number	Parts name	Q'ty	Description	Area
	93	QYSBSGY3008M	SPECIAL SCREW	1	AUX TEM/R.PANEL	
	94	QYSBSGY3008M	SPECIAL SCREW	2	SPK TEM./R.PANEL	
	95	QYSBSGY3008M	SPECIAL SCREW	4	H.SINK/ R.PANEL	
	96	QYSBSGY3008M	SPECIAL SCREW	2	R.COVER/R PANEL	
	97	QYSBSGY3008M	SPECIAL SCREW	1	GROUND /R.PANEL	
	98	QYSBSGY3008M	SPECIAL SCREW	2	C3 / REAR PANEL	
	99	QYSBSGY3008M	SPECIAL SCREW	1	R.PANEL/C.BASE	
	100	QYSBSGY3008M	SPECIAL SCREW	1	OPTICAL OUT/R.PANEL	
	101	GV10024-001A/S/	METAL COVER	1	MX-J570V	
		GV10024-003A/S/	METAL COVER	1	MX-J680V	
	102	QYSDSG3006N	T.SCREW	2	MX-J680V	
		QYSDSG3006M	TAPPING SCREW	2	MX-J570V	
	103	QYSBSGY3008M	SPECIAL SCREW	6	M.COVER+R.PANEL	
	104	GV30074-001A	CD FITTING	1	DISC 1	
	105	GV30075-001A	CD FITTING	1	DISC 2	
	106	GV30076-004A	CD FITTING	1	DISC 3	
	107	GV30084-002A	KNOB	2	MX-J680V	
		GV30084-001A	KNOB	2	MX-J570V	
	108	GV10028-010A	WINDOW SCREEN	1	MX-J680V	
		GV10028-009A	WINDOW SCREEN	1	MX-J570V	
	109	QYSDSF2608Z	SCREW	2		
	113	GV30104-001A	PROTECT SHEET	1		
	114	GV40082-001A	MIC BRACKET	1		
	115	QYSDSF2608Z	SCREW	2	MIC BKT.+F.PANEL	
	116	QYSBST3006Z	T.SCREW	1	MIC BRD./MIC.BKT	
	117	VKZ4001-110S	WIRE HOLDER	1		
▲	118	QMF51E2-1R6-J1	FUSE	1	F003	
	119	QYSBSF3012M	SCREW	2	VOL.SEL/R.PANEL	
	120	GV40083-001A	MIC VOL.KNOB	1		
	121	GV40123-003A	SPACER	1	STICK TO BRIDGE	
	122	GV30032-001A	FL HOLDER	1		
	123	E3400-439	FELT SPACER	2		
	124	LV30830-002A	BRACKET	1		
	125	QYSBSF3008Z	SCREW	1	BRACKET/SVC3	
	126	E310243-002	PLASTIC RIVET	2	V.BRD./BRACKET	
	127	QYSBSF3008Z	SCREW	1	REG.BRD./SVC3	
	128	FQUQ-191409BJ	FFC WIRE	1	FC100	
	129	QUQ410-0508CJ	FFC WIRE	1	FC101	
	130	FSQ110-2306AJC	CARD WIRE	1	FC151	
	131	QYSBSGY3008M	SPECIAL SCREW	1	VIDEO OUT/R.PANEL	
	132	GV30059-019A	RATING LABEL	2	MX-J680V	
		GV30059-018A	RATING LABEL	2	MX-J570V	

CD changer mechanism assembly and parts list

SVC3-3M

Block No. M 2 M M



Grease
 ★ = EM-30L
 ● = EBS0006-009B
 ▲ = FL-7750
 ◎ = JC-888B

CAUTION
 The axes of each gear
 to apply grease: Half face

FIG C
 Opposite side
 the same.

FIG B

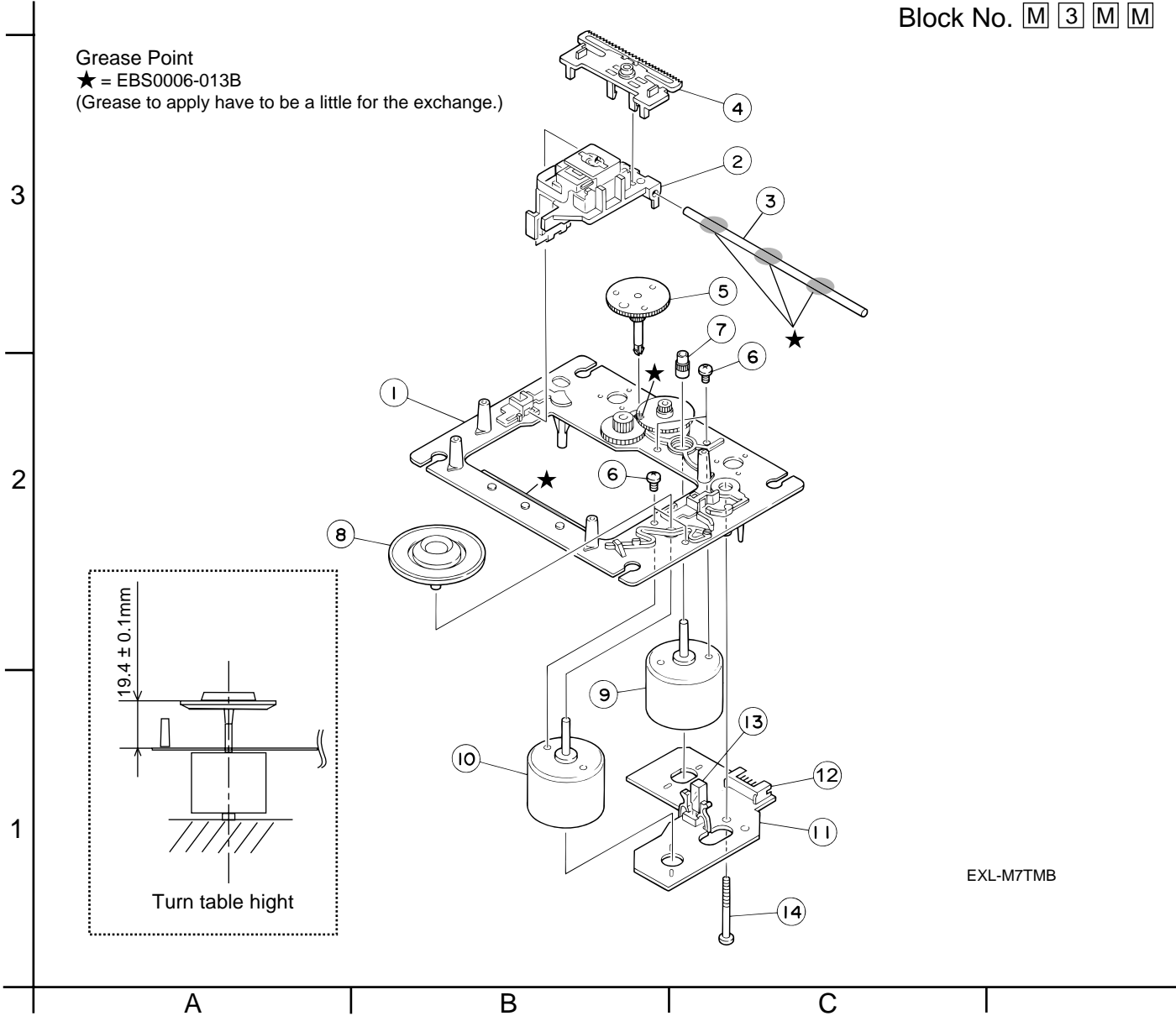
■ Parts list (CD changer mechanism)

Block No. M2MM

△	Item	Parts number	Parts name	Q'ty	Description	Area
	1	VKS1144-004	CHASSIS	1		
	2	VKS3698-003	TRAY GUIDE	2		
	3	VKS5532-003	PULLEY GEAR	2		
	4	VKB3000-164	BELT	2		
	5	VKS5505-003	GEAR B	2		
	6	VKS5506-002	GEAR C	3		
	7	VKS5507-002	CROSS GEAR U	1		
	8	VKS5508-002	CROSS GEAR L	1		
	9	VKS5510-003	SELECT LEVER	1		
	10	VKH5769-001	S.G.SHAFT	1		
	11	VKS5511-002	SELECT GEAR	1		
	12	VKW5155-003	COMP.SPRING	1	FOR SELECT GEAR	
	13	VKM3846-002	GEAR BRACKET	1		
	14	VKS5509-002MM	CYLINDER GEAR	1		
	15	MSN5D257A-SA2	D.C.MOTOR ASS'Y	2		
	16	QYSPSPD2616Z	SCREW	2	FOR MOTOR	
	17	LV40612-001A	COMP.SPRING	1		
	18	VKM3825-00B	C.G.BASE ASS'Y	1		
	19	VKZ3172-00ASS	CAM SW. R ASS'Y	1		
	20	VKZ3173-00ASS	CAM SW. L ASS'Y	1		
	21	QYSPST2606Z	SCREW	4		
	22	VKS2263-002MM	CAM R1	1		
	23	VKS2264-002MM	CAM R2	1		
	24	VKS2265-002MM	CAM GEAR L	1		
	25	WDL316050MM	SLIT WASHER	2		
	27	QYSBSF2608Z	T.SCREW	18	FOR C.GEAR BASE	
	28	VKS3702-00FMM	DRIVE UNIT	1		
	29	VKS2247-004	MECHA HOLDER A	1		
	30	VKL7767-00D	BRACKET ASS'Y	1		
	31	QYSBSF2606Z	SCREW	2	FOR BRACKET	
	32	VKM3860-00C	M.HOLDER B AS'Y	1		
	33	VKL7802-00D	M.HOLDER C AS'Y	1		
	34	QYSDST2604Z	SCREW	3		
	35	VKL7810-00B	LIFTER ASS'Y R	1		
	36	VKL7811-00B	LIFTER ASS'Y L	1		
	37	VKL7812-00B	LIFTER ASS'Y H	1		
	38	VKL2732-003	LIFTER BASE	1		
	39	VKM3857-002	LIFTER BRACKET	1		
	41	WDL266035-2	SLIT WASHER	1		
	43	VKS5514-002MM	LOCK LEVER	3		
	44	VKY3133-002MM	RETURN SPRING	1		
	46	VKY3134-003MM	CLICK SPRING	1		
	47	VKS2252-00E	TRAY ASS'Y	3		
	48	VKS2250-003	TOP BRACKET	1		
	49	VKS5515-002	S.TRAY STOPPER	1		
	50	VKW5156-004	TORSION SPRING	1		
	51	VKS3703-00G	CLAMPER ASS'Y	1		
	62	LV40866-002A	INSULATOR	2		
	63	LV40761-003A	INSULATOR	2		
	65	-----	CD MECHA	1		
	69	QGB2021L1-10	CONNECTOR	1		
	71	VKW5187-001	ROD	1		
	72	VYSA1R2-033	SPACER	1	FOR EWS176-008	
	75	QUQ610-1509AJ	FFC WIRE	1	TRAVERSE 15	
	76	EWS176-008	FLAT WIRE	1	TRAVERSE 6	

CD mechanism assembly and parts list

Block No. M 3 M M



Parts list (CD mechanism)

Block No. M3MM

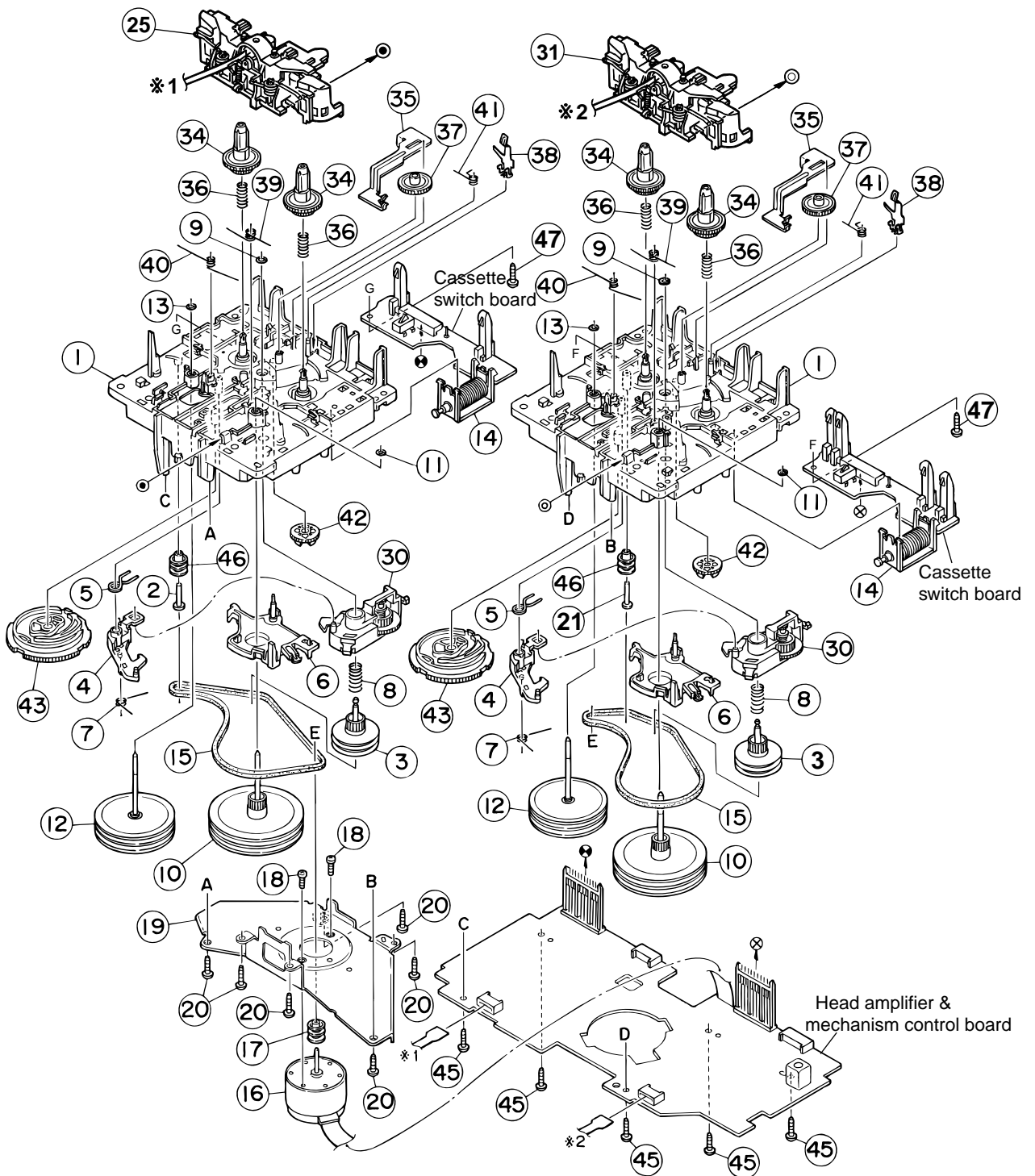
Item	Parts number	Parts name	Q'ty	Description	Area
1	E102731-221SM	MECHA BASE ASSY	1		
2	OPTIMA-7B	CD PICK	1		
3	E406777-002SM	CD SHAFT	1		
4	LV31002-001A	CD RACK	1		
5	E307745-441SM	CD GEAR(3)	1		
6	QYSDSP2003N	SCREW	4		
7	E406750-442SM	PINION	1		
8	EPB309173PKA	T.TABLE ASSY	1		
9	E406784-001	FEED MOTOR	1		
10	QAR0130-001	SP MOTOR	1		
11	EMW10190-441	CIR BOARD	1		
12	QGA2001F1-06	6P PLUG ASSY	1		
13	QSW0506-001	LEAF SWITCH	1		
14	E75832-221SS	SPECIAL SCREW	1		

Cassette mechanism assembly and parts list

Block No. M 4 M M

SLC-W6M

5
4
3
2
1



■ Parts list (Cassette mechanism)

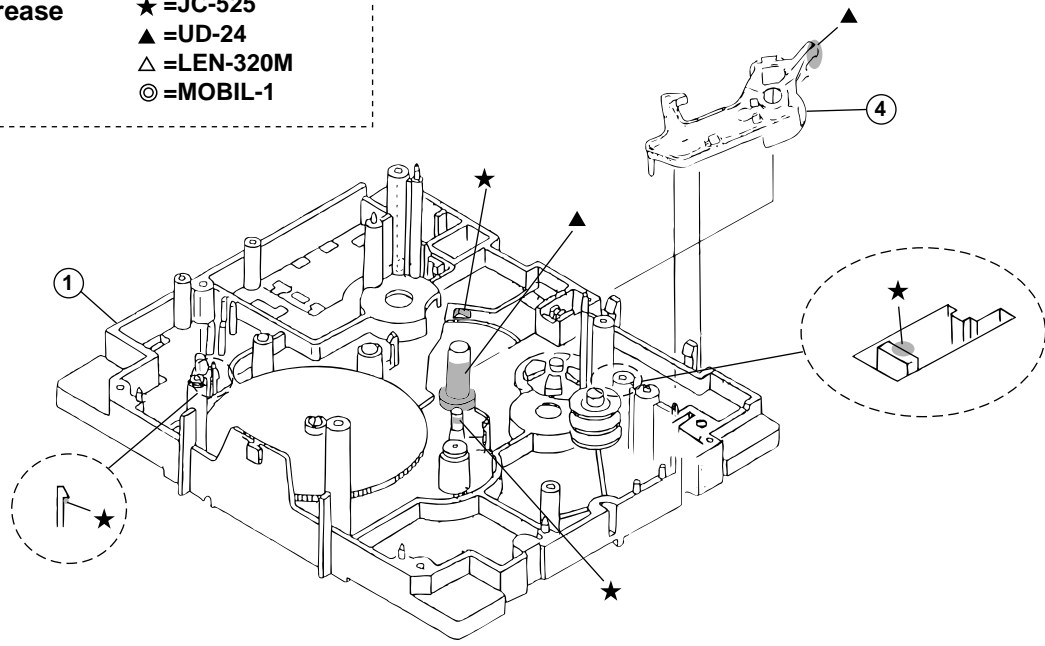
Block No. M4MM

△	Item	Parts number	Parts name	Q'ty	Description	Area
	1	VKS1165-00K	CHASSIS B.ASS'Y	2		
	2	LV42026-001A	SHAFT	1		
	3	VKS5603-00G	MAIN PULLEY ASY	2		
	4	VKS3785-001MM	FR ARM	2		
	5	VKW5284-002	SWING SPRING	2		
	6	VKS2278-003	TRIGGER ARM	2		
	7	VKW5301-001	FR SPRING	2		
	8	VKW5266-001	ELEVATOR SPRING	2		
	9	WDL214025	WASHER	2		
	10	VKF3205-00B	F.WHEEL ASSY(R)	2		
	11	WDL183425	SLIT WASHER	2		
	12	VKF3207-00B	F.WHEEL ASSY(L)	2		
	13	WDL173525-6	SLIT WASHER	2		
	14	VKZ3174-00A	DC SOLENOID	2		
	15	VKB3000-182	CAPSTAN BELT(B)	2		
	16	MSI-5U2LWA	D.C.MOTOR ASS'Y	1		
	17	VKR4761-001	MOTOR PULLEY	1		
	18	QYSPSP2604Z	SCREW	2		
	19	VKM3907-001	JOINT BRACKET	1		
	20	QYSBSF2608Z	T.SCREW	6		
	21	VKH5786-003	SHAFT	1		
	25	SLC-P1SVM	HEAD MOUNT ASSY	1		
	30	VKS3786-00G	CLUTCH ASS'Y	2		
	31	SLC-RP1SVM	HEAD MOUNT ASSY	1		
	34	VKS2274-002	REEL GEAR	4		
	35	VKM3906-003	PLAY SW LEVER	2		
	36	VKW5286-002	B.T. SPRING	4		
	37	VKS5559-001	PLAY IDLE GEAR	2		
	38	VKY3149-002	CASSETTE SP.	2		
	39	VKW5279-001	HEAD BASE SP(R)	2		
	40	VKW5280-001	HEAD BASE SP(L)	2		
	41	VKW5296-001	EARTH SPRING	2		
	42	VKS5597-00B	BLIND	2		
	43	VKS1166-003	CONTROL CAM	2		
	45	QYSBSF2608Z	T.SCREW	5	FOR P.W.B.	
	46	VKR4749-003	IDLE PULLEY	2		
	47	QYSBSF2005Z	T.SCREW	2		

Grease point

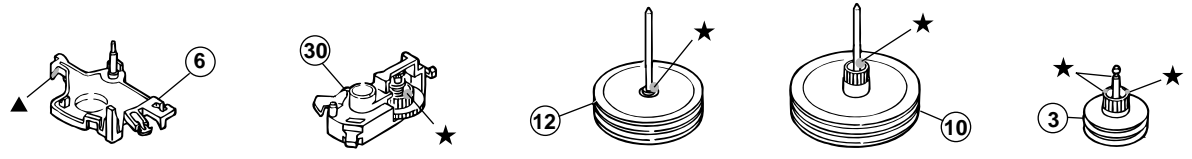
Grease	
★	=JC-525
▲	=UD-24
△	=LEN-320M
◎	=MOBIL-1

5

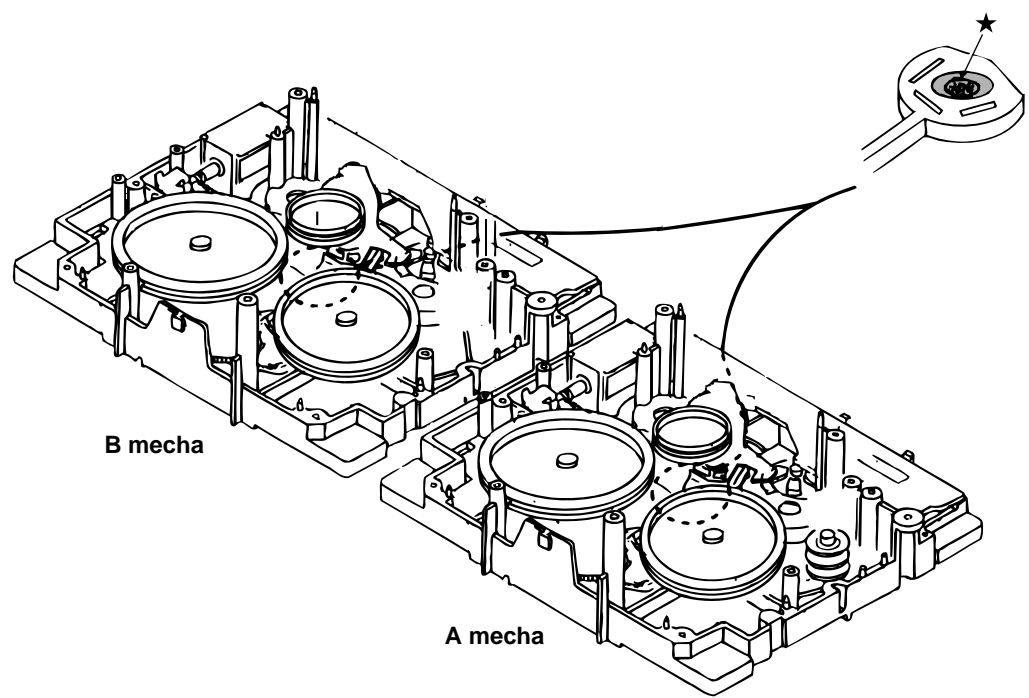


4

3



2

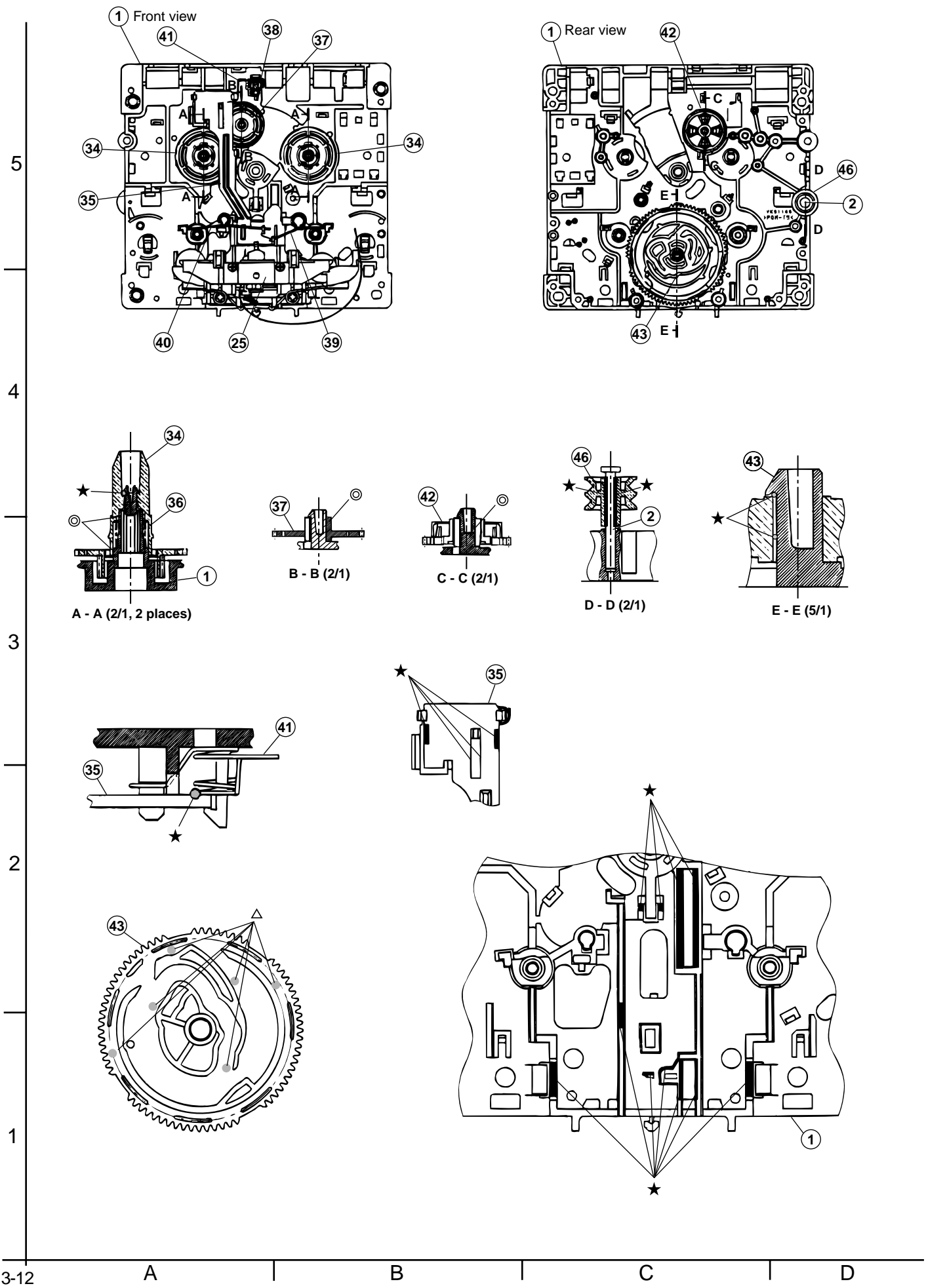


1

A

B

C



Electrical parts list

■ Electrical parts list (Power supply & input / output board) Block No. 01

▲	Item	Parts number	Parts name	Remarks	Area	▲	Item	Parts number	Parts name	Remarks	Area
	C 201	QFV72AJ-104Z	MF CAPACITOR	.10MF 5% 100V			C 471	QETN1EM-106Z	E CAPACITOR	10MF 20% 25V	
	C 202	QFV72AJ-104Z	MF CAPACITOR	.10MF 5% 100V			C 472	QETN1EM-106Z	E CAPACITOR	10MF 20% 25V	
	C 203	QFV72AJ-104Z	MF CAPACITOR	.10MF 5% 100V			C 473	QETN1EM-106Z	E CAPACITOR	10MF 20% 25V	
	C 204	QEZO510-478	E CAPACITOR	4700MF			C 474	QETN1EM-106Z	E CAPACITOR	10MF 20% 25V	
	C 205	QEZO510-478	E CAPACITOR	4700MF			C 475	EETC1HM-105ZJC	E CAPACITOR		
	C 211	QFLK1HJ-104Z	TF CAPACITOR	.10MF 5% 50V			C 476	QFLM1HJ-682Z	M CAPACITOR	6800PF 5% 50V	
	C 212	QFLK1HJ-104Z	TF CAPACITOR	.10MF 5% 50V			C 480	FQDYB1CM-103Y	C CAPACITOR		
	C 213	QFLK1HJ-104Z	TF CAPACITOR	.10MF 5% 50V			C 488	EETC1HM-226ZJC	E CAPACITOR		
	C 214	EETB1VM-228JC	E CAPACITOR				C 490	FQDYB1CM-103Y	C CAPACITOR		
	C 215	EETB1VM-228JC	E CAPACITOR				C 526	EETC1AM-107ZJC	E CAPACITOR		
	C 216	QETN1VM-107Z	E CAPACITOR	100MF 20% 35V			C 527	QFLM1HJ-104Z	M CAPACITOR	.10MF 5% 50V	
	C 217	QETN1JM-476Z	E CAPACITOR	47MF 20% 63V			C 528	QFLM1HJ-104Z	M CAPACITOR	.10MF 5% 50V	
	C 218	EETC1HM-226ZJC	E CAPACITOR				C 529	QFLM1HJ-104Z	MF CAPACITOR	.10MF 5% 50V	
	C 219	QDYB1CM-103Y	C CAPACITOR				C 530	QFLM1HJ-104Z	M CAPACITOR	.10MF 5% 50V	
	C 220	EETC1HM-226ZJC	E CAPACITOR				C 531	QETN1CM-476Z	E CAPACITOR	47MF 20% 16V	
	C 221	EETC1HM-475ZJC	E CAPACITOR				C 532	QETN1CM-476Z	E CAPACITOR	47MF 20% 16V	
	C 222	EETC1HM-475ZJC	E CAPACITOR				C 535	EETC1AM-107ZJC	E CAPACITOR		
	C 223	EETC1HM-226ZJC	E CAPACITOR				C 579	QETN1HM-474Z	E CAPACITOR	.47MF 20% 50V	
	C 233	QFLM1HJ-103Z	M CAPACITOR	.010MF 5% 50V			C 580	QFVJ1HJ-184Z	MF CAPACITOR	.18MF 5% 50V	
	C 253	EETB1EM-338JC	E CAPACITOR				C 581	EETC1HM-105ZJC	E CAPACITOR		
	C 401	QCBB1HK-221Y	C CAPACITOR	220PF 10% 50V			C 703	QCBB1HK-471Y	C CAPACITOR	470PF 10% 50V	
	C 402	QCBB1HK-221Y	C CAPACITOR	220PF 10% 50V			C 704	QCBB1HK-471Y	C CAPACITOR	470PF 10% 50V	
	C 403	EETC1AM-477ZJC	E CAPACITOR				C 705	QCSB1HJ-220Y	C CAPACITOR	22PF 5% 50V	
	C 404	QETN1CM-476Z	E CAPACITOR	47MF 20% 16V			C 706	QCSB1HJ-220Y	C CAPACITOR	22PF 5% 50V	
	C 411	QCBB1HK-221Y	C CAPACITOR	220PF 10% 50V			C 707	QETN1CM-476Z	E CAPACITOR	47MF 20% 16V	
	C 412	QCBB1HK-221Y	C CAPACITOR	220PF 10% 50V			C 708	QETN1CM-476Z	E CAPACITOR	47MF 20% 16V	
	C 415	FQDXB1CM-222Y	C CAPACITOR				C 709	FQCSB1HK-4R7Y	C CAPACITOR		
	C 426	FQDVB1EZ-223Y	C CAPACITOR				C 710	FQCSB1HK-4R7Y	C CAPACITOR		
	C 427	EETC1EM-106ZJC	E CAPACITOR				C 711	QETN1JM-476Z	E CAPACITOR	47MF 20% 63V	
	C 432	QFLM1HJ-102Z	M CAPACITOR	1000PF 5% 50V			C 712	QETN1JM-476Z	E CAPACITOR	47MF 20% 63V	
	C 433	QFLM1HJ-104Z	M CAPACITOR	.10MF 5% 50V			C 713	QFLM1HJ-473Z	M CAPACITOR	.047MF 5% 50V	
	C 434	QETN0JM-108Z	E CAPACITOR	1000MF 20% 6.3V			C 714	QFLM1HJ-473Z	M CAPACITOR	.047MF 5% 50V	
	C 435	QFLM1HJ-103Z	M CAPACITOR	.010MF 5% 50V			C 715	QFLM1HJ-473Z	M CAPACITOR	.047MF 5% 50V	
	C 436	EETC1AM-107ZJC	E CAPACITOR				C 716	QFLM1HJ-473Z	M CAPACITOR	.047MF 5% 50V	
	C 437	EETC1EM-106ZJC	E CAPACITOR				C 721	QETN1EM-106Z	E CAPACITOR	10MF 20% 25V	
	C 438	QDYB1CM-103Y	C CAPACITOR				C 722	QETN1EM-106Z	E CAPACITOR	10MF 20% 25V	
	C 439	EETC1EM-106ZJC	E CAPACITOR				C 723	EETC1HM-226ZJC	E CAPACITOR		
	C 440	EETC1EM-106ZJC	E CAPACITOR				C 726	EETC1EM-106ZJC	E CAPACITOR		
	C 441	QETN1EM-106Z	E CAPACITOR	10MF 20% 25V			C 729	EETC1CM-476ZJC	E CAPACITOR		
	C 442	QETN1EM-106Z	E CAPACITOR	10MF 20% 25V			C 730	FQCF31HZ-223Z	D CAPACITOR		
	C 443	EETC1HM-225ZJC	E CAPACITOR				C 731	FQCF31HZ-223Z	D CAPACITOR		
	C 444	EETC1HM-225ZJC	E CAPACITOR				C 732	FQDXB1CM-222Y	C CAPACITOR		
	C 445	EETC1EM-106ZJC	E CAPACITOR				C 733	QFLM1HJ-104Z	M CAPACITOR	.10MF 5% 50V	
	C 446	EETC1EM-106ZJC	E CAPACITOR				C 734	FQDXB1CM-222Y	C CAPACITOR		
	C 447	QETN1EM-106Z	E CAPACITOR	10MF 20% 25V			C 735	QFLM1HJ-104Z	M CAPACITOR	.10MF 5% 50V	
	C 448	QETN1EM-106Z	E CAPACITOR	10MF 20% 25V			C 736	QFLM1HJ-393Z	M CAPACITOR	.039MF 5% 50V	
	C 449	QETN1HM-225Z	E CAPACITOR	2.2MF 20% 50V			C 737	QFLM1HJ-393Z	M CAPACITOR	.039MF 5% 50V	
	C 450	QETN1HM-225Z	E CAPACITOR	2.2MF 20% 50V			C 739	QFLM1HJ-473Z	M CAPACITOR	.047MF 5% 50V	
	C 453	QFVJ1HJ-154Z	MF CAPACITOR	.15MF 5% 50V			C 742	EETC1HM-224ZJC	E CAPACITOR		
	C 454	QFVJ1HJ-154Z	MF CAPACITOR	.15MF 5% 50V			C 743	QFLM1HJ-823Z	M CAPACITOR	.082MF 5% 50V	
	C 455	QFVJ1HJ-274Z	MF CAPACITOR	.27MF 5% 50V			CN315	QGF1205F1-10	CONNECTOR		
	C 456	QFVJ1HJ-274Z	MF CAPACITOR	.27MF 5% 50V			CN612	QGB2510J1-04	CONNECTOR		
	C 457	QFLM1HJ-223Z	M CAPACITOR	.022MF 5% 50V			CN701	QGB2510K2-07	CONNECTOR		
	C 458	QFLM1HJ-223Z	M CAPACITOR	.022MF 5% 50V			CN702	QGB2510K2-10	CONNECTOR		
	C 459	QFLM1HJ-183Z	M CAPACITOR	.018MF 5% 50V			CN711	QGB2510J1-07	CONNECTOR		
	C 460	QFLM1HJ-183Z	M CAPACITOR	.018MF 5% 50V			CN712	QGB2510J1-10	CONNECTOR		
	C 461	QFLM1HJ-562Z	M CAPACITOR	5600PF 5% 50V			CN870	QGB1214J1-20S	CONNECTOR		
	C 462	QFLM1HJ-562Z	M CAPACITOR	5600PF 5% 50V			CN871	QGB1214J1-20S	CONNECTOR		
	C 466	EETC1HM-475ZJC	E CAPACITOR				CN912	QGD2503F1-05	SOCKET		
	C 467	EETC1HM-225ZJC	E CAPACITOR				C1021	FQDYB1CM-103Y	C CAPACITOR		
	C 468	EETC1EM-226ZJC	E CAPACITOR				C1022	QDGB1HK-102Y	C CAPACITOR		
	C 469	QFLM1HJ-683Z	M CAPACITOR	.068MF 5% 50V			C1023	QDGB1HK-102Y	C CAPACITOR		
	C 470	QFVJ1HJ-274Z	MF CAPACITOR	.27MF 5% 50V			C1034	QFLM1HJ-104Z	M CAPACITOR	.10MF 5% 50V	

■ Electrical parts list (Power supply & input / output board) Block No. 01

△	Item	Parts number	Parts name	Remarks	Area	△	Item	Parts number	Parts name	Remarks	Area
	C1035	EETC1AM-107ZJC	E CAPACITOR				FT521	QNG0020-001Z	FUSE CLIP		
	C1036	QCBB1HK-101Y	C CAPACITOR	100PF 10% 50V			FT522	QNG0020-001Z	FUSE CLIP		
	C1037	QDYB1CM-103Y	C CAPACITOR				FW431	QUM156-14Z4Z4	FLAT WIRE		
	C1038	FQDXB1CM-472Y	C CAPACITOR				FW703	QUM156-14DGZ4	FLAT WIRE		
	C1039	QDYB1CM-103Y	C CAPACITOR				FW704	QUM154-15DGZ4	FLAT WIRE		
	C1040	FQDXB1CM-332Y	C CAPACITOR				FW705	QUM156-11Z4Z4	FLAT WIRE		
	C1041	QDYB1CM-103Y	C CAPACITOR				FW902	QUM155-32DGZ4	FLAT WIRE		
	C1042	EETC1EM-226ZJC	E CAPACITOR				IC436	TDA7439	IC		
	C1043	QFVJ1HJ-474Z	MF CAPACITOR	.47MF 5% 50V			IC466	BA3837	IC(VOCALFADER)		
	C1044	QDYB1CM-103Y	C CAPACITOR				IC526	BA15218	IC		
	C1045	QETN1HM-225Z	E CAPACITOR	2.2MF 20% 50V		△	IC701	STK412-000	IC(HYBRID)		
	C1061	EETC1AM-227ZJC	E CAPACITOR				IC901	NJM4580L	IC		
	C1062	EETC1AM-107ZJC	E CAPACITOR				IC902	BU9253AS	IC		
	C1063	EETC1HM-475ZJC	E CAPACITOR				J 81	QNB0098-001	SPK TERMINAL		
	C1064	QCBB1HK-151Y	C CAPACITOR	150PF 10% 50V			J 411	QNN0117-001	PIN JACK		
	C1065	QCBB1HK-151Y	C CAPACITOR	150PF 10% 50V			J 426	GP1FA550TZ	OPT TRANSMITTER		
	C1066	QCBB1HK-331Y	C CAPACITOR	330PF 10% 50V			J1021	QNS0080-001	6.3 JACK		
	C1067	QETN1HM-225Z	E CAPACITOR	2.2MF 20% 50V			J1022	QNS0080-001	6.3 JACK		
	C1068	QETN1HM-224Z	E CAPACITOR	.22MF 20% 50V			L 201	QQR0779-001Z	INDUCTOR		
	C1069	QETN1HM-475Z	E CAPACITOR	4.7MF 20% 50V			L 401	QQR0779-001Z	INDUCTOR		
△	D 201	1N5402M-20	DIODE				L 434	QQR0779-001Z	INDUCTOR		
△	D 202	1N5402M-20	DIODE				L 701	QQLZ005-R45	INDUCTOR		
△	D 203	1N5402M-20	DIODE				L 702	QQLZ005-R45	INDUCTOR		
△	D 204	1N5402M-20	DIODE				L1004	QQR0779-001Z	INDUCTOR		
△	D 211	1N5402M-20	DIODE				Q 201	KTA1023/OY/-T	TRANSISTOR		
△	D 212	1N5402M-20	DIODE				Q 203	KRC107M-T	D.TRANSISTOR		
△	D 213	1N5402M-20	DIODE				Q 204	KTC3199/GL/-T	TRANSISTOR		
△	D 214	1N5402M-20	DIODE				Q 240	KTC3199/GL/-T	TRANSISTOR		
△	D 217	1N4003S-T5	SI DIODE				Q 401	2SC3576-JVC-T	TRANSISTOR		
△	D 218	1N4003S-T5	SI DIODE				Q 402	2SC3576-JVC-T	TRANSISTOR		
	D 219	MTZJ33C-T2	Z DIODE				Q 483	KRA101M-T	TRANSISTOR		
	D 220	MTZJ9.1B-T2	ZENER DIODE				Q 561	2SC3576-JVC-T	TRANSISTOR		
	D 221	MTZJ5.1B-T2	ZENER DIODE				Q 562	2SC3576-JVC-T	TRANSISTOR I/M		
	D 223	1SS133-T2	SI DIODE				Q 571	2SC2785/FE/-T	TRANSISTOR		
△	D 227	1N4003S-T5	SI DIODE				Q 572	2SC2785/FE/-T	TRANSISTOR		
△	D 233	2A02-M	DIODE				Q 573	2SC2785/FE/-T	TRANSISTOR		
△	D 234	2A02-M	DIODE				Q 574	2SC2785/FE/-T	TRANSISTOR		
	D 411	1SS133-T2	SI DIODE				Q 575	2SC2785/FE/-T	TRANSISTOR		
	D 412	1SS133-T2	SI DIODE				Q 576	2SC2785/FE/-T	TRANSISTOR		
	D 426	MTZJ5.1B-T2	ZENER DIODE				Q 577	KRC111M-T	TRANSISTOR		
	D 431	1SS133-T2	SI DIODE				Q 578	KRC111M-T	TRANSISTOR		
	D 432	1SS133-T2	SI DIODE				Q 579	KRC111M-T	TRANSISTOR		
	D 433	1SS133-T2	SI DIODE				Q 580	KRC111M-T	TRANSISTOR		
	D 434	MTZJ5.1B-T2	ZENER DIODE				Q 581	KRC111M-T	TRANSISTOR		
	D 573	1SS133-T2	SI DIODE				Q 582	KRC111M-T	TRANSISTOR		
	D 703	MTZJ15C-T2	Z DIODE				Q 701	KTA1268/GL/-T	TRANSISTOR		
	D 704	MTZJ15C-T2	Z DIODE				Q 702	KTA1268/GL/-T	TRANSISTOR		
	D 719	1SS133-T2	SI DIODE				Q 710	2SA1038S/SE/-T	TRANSISTOR		
	D 720	1SS133-T2	SI DIODE				Q 711	KTC3200/GL/-T	TRANSISTOR		
	D 723	MTZJ33C-T2	Z DIODE				Q 712	KTA1268/GL/-T	TRANSISTOR		
	D 724	MTZJ33C-T2	Z DIODE				Q 713	2SC2389S/SE/-T	TRANSISTOR		
	D 725	1SS133-T2	SI DIODE				Q 726	2SC2389S/SE/-T	TRANSISTOR		
	D 728	1SS133-T2	SI DIODE				Q 727	KTA1268/GL/-T	TRANSISTOR		
	D 742	MTZJ2.4B-T2	Z.DIODE				Q 728	KTC3199/GL/-T	TRANSISTOR		
	D1021	MTZJ5.1B-T2	ZENER DIODE				Q 733	2SC3576-JVC-T	TRANSISTOR		
	D1022	MTZJ2.4B-T2	ZENER DIODE				Q 734	2SC3576-JVC-T	TRANSISTOR		
	D1061	1SS133-T2	SI DIODE				Q 735	2SC3576-JVC-T	TRANSISTOR		
	FT111	QNG0020-001Z	FUSE CLIP				Q 736	2SC3576-JVC-T	TRANSISTOR		
	FT112	QNG0020-001Z	FUSE CLIP				Q 737	KRA111M-T	D TRANSISTOR		
	FT131	QNG0020-001Z	FUSE CLIP				Q 742	2SK301/PQ/-T	TRANSISTOR(FET)		
	FT132	QNG0020-001Z	FUSE CLIP				Q1021	KRA111M-T	D.TRANSISTOR		
	FT511	QNG0020-001Z	FUSE CLIP				Q1022	KRA111M-T	D.TRANSISTOR		
	FT512	QNG0020-001Z	FUSE CLIP				Q1023	KRA111M-T	D.TRANSISTOR		

■ Electrical parts list (Power supply & input / output board) Block No. 01

△	Item	Parts number	Parts name	Remarks	Area	△	Item	Parts number	Parts name	Remarks	Area
	Q1061	2SD2144S/VW-T	TRANSISTOR				R 535	QRE141J-113Y	C RESISTOR	11K 5% 1/4W	
△	R 202	QRZ9042-2R2X	F RESISTOR	2.2 1/0W			R 536	QRE141J-113Y	C RESISTOR	11K 5% 1/4W	
	R 203	QRE141J-302Y	C RESISTOR	3.0K 5% 1/4W			R 537	QRE141J-101Y	C RESISTOR	100 5% 1/4W	
	R 204	QRE141J-223Y	C RESISTOR	22K 5% 1/4W			R 551	QRE141J-102Y	C RESISTOR	1.0K 5% 1/4W	
	R 205	QRE141J-104Y	C RESISTOR	100K 5% 1/4W			R 552	QRE141J-102Y	C RESISTOR	1.0K 5% 1/4W	
	R 206	QRE141J-562Y	C RESISTOR	5.6K 5% 1/4W			R 553	QRE141J-223Y	C RESISTOR	22K 5% 1/4W	
	R 207	QRE141J-123Y	C RESISTOR	12K 5% 1/4W			R 554	QRE141J-223Y	C RESISTOR	22K 5% 1/4W	
	R 209	QRE141J-103Y	C RESISTOR	10K 5% 1/4W			R 561	QRE141J-221Y	C RESISTOR	220 5% 1/4W	
	R 210	QRE141J-123Y	C RESISTOR	12K 5% 1/4W			R 562	QRE141J-221Y	C RESISTOR	220 5% 1/4W	
	R 215	QRE141J-473Y	C RESISTOR	47K 5% 1/4W			R 581	QRE141J-224Y	C RESISTOR	220K 5% 1/4W	
	R 216	QRE141J-473Y	C RESISTOR	47K 5% 1/4W			R 582	QRE141J-101Y	C RESISTOR	100 5% 1/4W	
	R 217	QRE141J-273Y	C RESISTOR	27K 5% 1/4W			R 583	QRE141J-101Y	C RESISTOR	100 5% 1/4W	
	R 218	QRE141J-273Y	C RESISTOR	27K 5% 1/4W			R 584	QRE141J-222Y	C RESISTOR	2.2K 5% 1/4W	
△	R 233	QRK126J-470X	C RESISTOR	47 5% 1/2W			R 585	QRE141J-242Y	C RESISTOR	2.4K 5% 1/4W	
△	R 234	QRK126J-470X	C RESISTOR	47 5% 1/2W			R 586	QRE141J-274Y	C RESISTOR	270K 5% 1/4W	
	R 242	QRE141J-103Y	C RESISTOR	10K 5% 1/4W			R 588	QRE141J-224Y	C RESISTOR	220K 5% 1/4W	
△	R 246	QRT01DJ-R22X	UNF.MF.RESISTOR	5% 1/1W			R 589	QRE141J-101Y	C RESISTOR	100 5% 1/4W	
△	R 247	QRT01DJ-R22X	UNF.MF.RESISTOR	5% 1/1W			R 590	QRE141J-101Y	C RESISTOR	100 5% 1/4W	
	R 401	QRE141J-102Y	C RESISTOR	1.0K 5% 1/4W			R 593	QRE141J-243Y	C RESISTOR	24K 5% 1/4W	
	R 402	QRE141J-102Y	C RESISTOR	1.0K 5% 1/4W			R 594	QRE141J-243Y	C RESISTOR	24K 5% 1/4W	
	R 403	QRE141J-472Y	C RESISTOR	4.7K 5% 1/4W			R 595	QRE141J-433Y	C RESISTOR	43K 5% 1/4W	
	R 404	QRE141J-472Y	C RESISTOR	4.7K 5% 1/4W			R 596	QRE141J-433Y	C RESISTOR	43K 5% 1/4W	
	R 405	QRE141J-222Y	C RESISTOR	2.2K 5% 1/4W			R 597	QRE141J-104Y	C RESISTOR	100K 5% 1/4W	
	R 406	QRE141J-222Y	C RESISTOR	2.2K 5% 1/4W			R 598	QRE141J-104Y	C RESISTOR	100K 5% 1/4W	
	R 407	QRE141J-272Y	C RESISTOR	2.7K 5% 1/4W			R 701	QRJ146J-470X	UNF.C.RESISTOR	47 5% 1/4W	
	R 408	QRE141J-5R6Y	C RESISTOR	5.6 5% 1/4W			R 702	QRJ146J-470X	UNF.C.RESISTOR	47 5% 1/4W	
	R 411	QRE141J-103Y	C RESISTOR	10K 5% 1/4W			R 703	QRE141J-563Y	C RESISTOR	56K 5% 1/4W	
	R 412	QRE141J-103Y	C RESISTOR	10K 5% 1/4W			R 704	QRE141J-563Y	C RESISTOR	56K 5% 1/4W	
	R 413	QRE141J-683Y	C RESISTOR	68K 5% 1/4W			R 705	QRJ146J-821X	UNF.C.RESISTOR	820 5% 1/4W	
	R 414	QRE141J-683Y	C RESISTOR	68K 5% 1/4W			R 706	QRJ146J-821X	UNF.C.RESISTOR	820 5% 1/4W	
	R 426	QRE141J-391Y	C RESISTOR	390 5% 1/4W			R 707	QRE141J-563Y	C RESISTOR	56K 5% 1/4W	
	R 431	QRE141J-303Y	C RESISTOR	30K 5% 1/4W			R 708	QRE141J-563Y	C RESISTOR	56K 5% 1/4W	
	R 432	QRE141J-303Y	C RESISTOR	30K 5% 1/4W			R 713	QRJ146J-100X	UNF.C.RESISTOR	10 5% 1/4W	
△	R 434	QRJ146J-4R7X	UNF.C.RESISTOR	4.7 5% 1/4W			R 714	QRJ146J-100X	UNF.C.RESISTOR	10 5% 1/4W	
	R 435	QRE141J-103Y	C RESISTOR	10K 5% 1/4W			R 715	QRJ146J-100X	UNF.C.RESISTOR	10 5% 1/4W	
	R 436	QRE141J-103Y	C RESISTOR	10K 5% 1/4W			R 716	QRJ146J-100X	UNF.C.RESISTOR	10 5% 1/4W	
	R 437	QRE141J-102Y	C RESISTOR	1.0K 5% 1/4W			R 717	QRE141J-102Y	C RESISTOR	1.0K 5% 1/4W	
	R 438	QRE141J-272Y	C RESISTOR	2.7K 5% 1/4W			R 718	QRE141J-102Y	C RESISTOR	1.0K 5% 1/4W	
	R 439	QRE141J-562Y	C RESISTOR	5.6K 5% 1/4W			R 719	QRE141J-562Y	C RESISTOR	5.6K 5% 1/4W	
	R 440	QRE141J-562Y	C RESISTOR	5.6K 5% 1/4W			R 720	QRE141J-562Y	C RESISTOR	5.6K 5% 1/4W	
	R 441	QRE141J-272Y	C RESISTOR	2.7K 5% 1/4W			R 721	QRE141J-103Y	C RESISTOR	10K 5% 1/4W	
	R 442	QRE141J-103Y	C RESISTOR	10K 5% 1/4W			R 722	QRE141J-103Y	C RESISTOR	10K 5% 1/4W	
	R 443	QRE141J-104Y	C RESISTOR	100K 5% 1/4W			R 723	QRE141J-152Y	C RESISTOR	1.5K 5% 1/4W	
	R 444	QRE141J-104Y	C RESISTOR	100K 5% 1/4W			R 724	QRE141J-152Y	C RESISTOR	1.5K 5% 1/4W	
	R 466	QRE141J-201Y	C RESISTOR	200 5% 1/4W			R 725	QRE141J-823Y	C RESISTOR	82K 5% 1/4W	
	R 467	QRE141J-203Y	C RESISTOR	20K 5% 1/4W			R 726	QRE141J-104Y	C RESISTOR	100K 5% 1/4W	
	R 468	QRE141J-203Y	C RESISTOR	20K 5% 1/4W			R 727	QRE141J-104Y	C RESISTOR	100K 5% 1/4W	
	R 469	QRE141J-562Y	C RESISTOR	5.6K 5% 1/4W			R 728	QRE141J-103Y	C RESISTOR	10K 5% 1/4W	
	R 470	QRE141J-562Y	C RESISTOR	5.6K 5% 1/4W			R 729	QRE141J-104Y	C RESISTOR	100K 5% 1/4W	
	R 471	QRE141J-223Y	C RESISTOR	22K 5% 1/4W			R 730	QRE141J-103Y	C RESISTOR	10K 5% 1/4W	
	R 472	QRE141J-102Y	C RESISTOR	1.0K 5% 1/4W			△	R 731	QRJ146J-4R7X	UNF.C.RESISTOR	4.7 5% 1/4W
	R 473	QRE141J-682Y	C RESISTOR	6.8K 5% 1/4W			△	R 732	QRJ146J-4R7X	UNF.C.RESISTOR	4.7 5% 1/4W
	R 474	QRE141J-513Y	C RESISTOR	51K 5% 1/4W			R 733	QRE141J-472Y	C RESISTOR	4.7K 5% 1/4W	
	R 475	QRE141J-101Y	C RESISTOR	100 5% 1/4W			R 734	QRE141J-472Y	C RESISTOR	4.7K 5% 1/4W	
	R 496	QRE141J-221Y	C RESISTOR	220 5% 1/4W			R 735	QRE141J-472Y	C RESISTOR	4.7K 5% 1/4W	
	R 497	QRE141J-103Y	C RESISTOR	10K 5% 1/4W			R 736	QRE141J-472Y	C RESISTOR	4.7K 5% 1/4W	
	R 526	QRE141J-101Y	C RESISTOR	100 5% 1/4W			R 739	QRL01DJ-821X	OMF RESISTOR	820 5% 1/1W	
	R 527	QRE141J-222Y	C RESISTOR	2.2K 5% 1/4W			R 740	QRL01DJ-821X	OMF RESISTOR	820 5% 1/1W	
	R 528	QRE141J-222Y	C RESISTOR	2.2K 5% 1/4W			R 742	QRE141J-473Y	C RESISTOR	47K 5% 1/4W	
	R 529	QRE141J-332Y	C RESISTOR	3.3K 5% 1/4W			R 743	QRE141J-153Y	C RESISTOR	15K 5% 1/4W	
	R 530	QRE141J-332Y	C RESISTOR	3.3K 5% 1/4W			R 744	QRE141J-475Y	C RESISTOR	4.7M 5% 1/4W	
	R 533	QRE141J-204Y	C RESISTOR	200K 5% 1/4W			R 745	QRE141J-105Y	C RESISTOR	1.0M 5% 1/4W	
	R 534	QRE141J-204Y	C RESISTOR	200K 5% 1/4W			R 746	QRE141J-392Y	C RESISTOR	3.9K 5% 1/4W	

■ Electrical parts list (Power supply & input / output board) Block No. 01

△	Item	Parts number	Parts name	Remarks	Area
	R 747	QRE141J-203Y	C RESISTOR	20K 5% 1/4W	
	R 748	QRE141J-103Y	C RESISTOR	10K 5% 1/4W	
△	R 750	QRJ146J-470X	UNF C.RESISTOR	47 5% 1/4W	
	R 753	QRZ0196-R22	EMIT.RESISTOR	1/1W	
	R 754	QRZ0196-R22	EMIT.RESISTOR	1/1W	
	R 761	QRE141J-102Y	C RESISTOR	1.0K 5% 1/4W	
	R 762	QRE141J-102Y	C RESISTOR	1.0K 5% 1/4W	
	R 766	QRE141J-333Y	C RESISTOR	33K 5% 1/4W	
	R 767	QRE141J-103Y	C RESISTOR	10K 5% 1/4W	
	R 768	QRE141J-103Y	C RESISTOR	10K 5% 1/4W	
△	R 774	QRJ146J-100X	UNF.C RESISTOR	10 5% 1/4W	
	R 775	QRE141J-102Y	C RESISTOR	1.0K 5% 1/4W	
	R 776	QRE141J-102Y	C RESISTOR	1.0K 5% 1/4W	
	R 777	QRE141J-103Y	C RESISTOR	10K 5% 1/4W	
	R 778	QRE141J-103Y	C RESISTOR	10K 5% 1/4W	
	R 784	QRE141J-823Y	C RESISTOR	82K 5% 1/4W	
	R 785	QRE141J-823Y	C RESISTOR	82K 5% 1/4W	
	R 786	QRE141J-103Y	C RESISTOR	10K 5% 1/4W	
	R 787	QRE141J-103Y	C RESISTOR	10K 5% 1/4W	
	RY 1	QSK0109-001	RELAY		
	R1021	QRE141J-472Y	C RESISTOR	4.7K 5% 1/4W	
	R1022	QRE141J-472Y	C RESISTOR	4.7K 5% 1/4W	
	R1031	QRE141J-203Y	C RESISTOR	20K 5% 1/4W	
	R1032	QRE141J-203Y	C RESISTOR	20K 5% 1/4W	
	R1033	QRE141J-822Y	C RESISTOR	8.2K 5% 1/4W	
	R1034	QRE141J-103Y	C RESISTOR	10K 5% 1/4W	
	R1035	QRE141J-333Y	C RESISTOR	33K 5% 1/4W	
	R1036	QRE141J-392Y	C RESISTOR	3.9K 5% 1/4W	
	R1037	QRE141J-153Y	C RESISTOR	15K 5% 1/4W	
	R1038	QRE141J-472Y	C RESISTOR	4.7K 5% 1/4W	
	R1039	QRE141J-103Y	C RESISTOR	10K 5% 1/4W	
	R1040	QRE141J-272Y	C RESISTOR	2.7K 5% 1/4W	
	R1041	QRE141J-203Y	C RESISTOR	20K 5% 1/4W	
	R1042	QRE141J-221Y	C RESISTOR	220 5% 1/4W	
	R1043	QRE141J-203Y	C RESISTOR	20K 5% 1/4W	
	R1044	QRE141J-562Y	C RESISTOR	5.6K 5% 1/4W	
	R1045	QRE141J-102Y	C RESISTOR	1.0K 5% 1/4W	
	R1061	QRE141J-103Y	C RESISTOR	10K 5% 1/4W	
	R1062	QRE141J-123Y	C RESISTOR	12K 5% 1/4W	
	R1063	QRE141J-391Y	C RESISTOR	390 5% 1/4W	
	R1064	QRE141J-152Y	C RESISTOR	1.5K 5% 1/4W	
	R1065	QRE141J-101Y	C RESISTOR	100 5% 1/4W	
	R1066	QRE141J-475Y	C RESISTOR	4.7M 5% 1/4W	
	R1067	QRE141J-560Y	C RESISTOR	56 5% 1/4W	
	R1068	QRE141J-203Y	C RESISTOR	20K 5% 1/4W	
	R1069	QRE141J-102Y	C RESISTOR	1.0K 5% 1/4W	
	R1070	QRE141J-561Y	C RESISTOR	560 5% 1/4W	
	R1071	QRE141J-472Y	C RESISTOR	4.7K 5% 1/4W	
	R1072	QRE141J-472Y	C RESISTOR	4.7K 5% 1/4W	
	R1073	QRE141J-103Y	C RESISTOR	10K 5% 1/4W	
	R1074	QRE141J-152Y	C RESISTOR	1.5K 5% 1/4W	
△	S 500	QSW0812-001	VOLTAGE SWITCH		
	SP434	E3400-431	SPACER		
	TB101	QNZ0079-001Z	TAB		
	TB102	QNZ0079-001Z	TAB		
	VR901	QVQ0045-B54	V RESISTOR		

■ Electrical parts list (Main & pre-amplifier board)

Block No. 02

△	Item	Parts number	Parts name	Remarks	Area	△	Item	Parts number	Parts name	Remarks	Area
	C 350	QDYB1CM-103Y	C CAPACITOR				CN713	QGD2503F1-06	4P PLUG ASSY		
	C 351	EETC1HM-226ZJC	E CAPACITOR				CN815	QGD2504C1-03Z	SOCKET		
	C 352	EETC1HM-226ZJC	E CAPACITOR				CN850	QGD2504C1-03Z	SOCKET		
	C 360	QETN1CM-476Z	E CAPACITOR	47MF 20% 16V			CN851	QGD2504C1-04Z	SOCKET		
	C 361	QDYB1CM-103Y	C CAPACITOR				CN860	QGB1214K1-20S	CONNECTOR		
	C 362	EETC1HM-226ZJC	E CAPACITOR				CN861	QGB1214K1-20S	CONNECTOR		
	C 366	EETC1HM-226ZJC	E CAPACITOR				CN862	QGD2504C1-03Z	SOCKET		
	C 367	QDYB1CM-103Y	C CAPACITOR				CN863	QGD2504C1-03Z	SOCKET		
	C 370	QDYB1CM-103Y	C CAPACITOR				CN865	QGF1205C1-09	CONNECTOR		
	C 371	EETC1HM-226ZJC	E CAPACITOR				CN867	QGA2501C1-02	2P CONNECTOR		
	C 372	EETC1HM-226ZJC	E CAPACITOR				CN868	QGF1016C1-19	CONNECTOR		
	C 373	QDYB1CM-103Y	C CAPACITOR				CN869	QGF1205C1-11	CONNECTOR		
	C 374	EETC1HM-226ZJC	E CAPACITOR				CN879	QGF1031C1-09S	FFC/FPC CONNE		
	C 801	QFLM1HJ-103Z	M CAPACITOR	.010MF 5% 50V			CN880	QGF1205C1-11	CONNECTOR		
	C 803	QETN0JM-477Z	E CAPACITOR	470MF 20% 6.3V			CN883	QGD2504C1-03Z	SOCKET		
	C 804	QETN0JM-108Z	E CAPACITOR	1000MF 20% 6.3V			CN884	QGD2504C1-03Z	SOCKET		
	C 805	QDGB1HK-102Y	C CAPACITOR				CN900	QGD2504C1-04Z	SOCKET		
	C 806	QDGB1HK-102Y	C CAPACITOR				CN901	QGD2504C1-04Z	SOCKET		
	C 807	QCS11HJ-390	C CAPACITOR	39PF 5% 50V			CN905	QGF1205C1-11	CONNECTOR		
	C 808	FQCSB1HJ-330Y	C CAPACITOR				CN906	QGF1205C1-11	CONNECTOR		
	C 809	FQCSB1HJ-330Y	C CAPACITOR				CN979	QGF1016F1-09	CONNECTOR		
	C 810	QCS11HJ-390	C CAPACITOR	39PF 5% 50V			CN990	QGF1205F1-11	CONNECTOR		
	C 811	QDGB1HK-102Y	C CAPACITOR				C1001	FQDXB1CM-392Y	C CAPACITOR		
	C 812	QCSB1HJ-220Y	C CAPACITOR	22PF 5% 50V			C1002	FQDXB1CM-392Y	C CAPACITOR		
	C 813	FQCSB1HJ-270Y	C CAPACITOR				C1003	FQDXB1CM-222Y	C CAPACITOR		
	C 814	QETN0JM-108Z	E CAPACITOR	1000MF 20% 6.3V			C1004	FQDGB1HK-102Y	C CAPACITOR		
	C 815	EETC1HM-226ZJC	E CAPACITOR				C1005	QDGB1HK-102Y	C CAPACITOR		
	C 816	EETC1CM-476ZJC	E CAPACITOR				C1006	QDGB1HK-102Y	C CAPACITOR		
	C 817	EETC1HM-226ZJC	E CAPACITOR				C1007	FQDYB1CM-103Y	C CAPACITOR		
	C 820	QCZ0205-155Z	ML C CAPACITOR	1.5MF			D 350	MTZJ11C-T2	ZENER DIODE		
	C 821	QDYB1CM-103Y	C CAPACITOR				D 351	MTZJ12C-T2	ZENER DIODE		
	C 823	QFVJ1HJ-334Z	M CAPACITOR	.33MF 5% 50V			D 360	MTZJ5.1B-T2	ZENER DIODE		
	C 831	QDYB1CM-103Y	C CAPACITOR				D 361	MTZJ11C-T2	ZENER DIODE		
	C 832	QDYB1CM-103Y	C CAPACITOR				D 362	MTZJ6.8C-T2	ZENER DIODE		
	C 834	EEKC1HM-226ZJC	E CAPACITOR				D 365	MTZJ9.1B-T2	ZENER DIODE		
	C 835	QDGB1HK-102Y	C CAPACITOR				D 366	MTZJ11C-T2	ZENER DIODE		
	C 855	EETC0JM-227ZJC	E CAPACITOR				D 367	MTZJ10C-T2	Z.DIODE		
	C 856	EETC1AM-107ZJC	E CAPACITOR				D 368	MTZJ11C-T2	Z.DIODE		
	C 857	EEKC1CM-476ZJC	E CAPACITOR				D 369	MTZJ10C-T2	Z.DIODE		
	C 862	EEKC1HM-475ZJC	E CAPACITOR				D 370	MTZJ11C-T2	Z.DIODE		
	C 870	QDYB1CM-103Y	C CAPACITOR				D 801	1N4003S-T5	SI DIODE		
	C 871	EETC1HM-475ZJC	E CAPACITOR				D 803	1SS119-02-T2	SI DIODE		
	C 872	EEKC1HM-224ZJC	E CAPACITOR				D 804	1SS133-T2	SI DIODE		
	C 876	EETC1HM-105ZJC	E CAPACITOR				D 805	1SS133-T2	SI DIODE		
	C 877	FQDGB1HK-681Y	C CAPACITOR				D 806	1SS133-T2	SI DIODE		
	C 878	FQDXB1CM-182Y	C CAPACITOR				D 831	MTZJ5.1B-T2	ZENER DIODE		
	C 879	FQCSB1HJ-330Y	C CAPACITOR				D 832	MTZJ5.1B-T2	ZENER DIODE		
	C 880	QFLM1HJ-153Z	M CAPACITOR	.015MF 5% 50V			D 853	MTZJ8.2C-T2	ZENER DIODE		
	C 881	EEKC1HM-225ZJC	E CAPACITOR				D 860	1SS133-T2	SI DIODE		
	C 882	EEKC1HM-225ZJC	E CAPACITOR				D 871	1SS133-T2	SI DIODE		
	C 883	QFLM1HJ-104Z	M CAPACITOR	.10MF 5% 50V			D 872	1SS133-T2	SI DIODE		
	C 884	EETC1AM-227ZJC	E CAPACITOR				D 873	1SS133-T2	SI DIODE		
	C 885	QFLM1HJ-103Z	M CAPACITOR	.010MF 5% 50V			D 955	SLR-342MC-T	LED		
	C 886	QFLM1HJ-103Z	M CAPACITOR	.010MF 5% 50V			D 956	SLR-342MC-T	LED		
	C 887	QFVJ1HJ-104Z	MF CAPACITOR	.10MF 5% 50V			D 957	SLR-342MC-T	LED		
	C 889	EEKC1HM-105ZJC	E CAPACITOR				D 958	SLR-342MC-T	LED		
	C 890	QDGB1HK-102Y	C CAPACITOR				D 961	1SS133-T2	SI DIODE		
	C 899	FQDGB1HK-102Y	C CAPACITOR				D 962	SLA-370LT3F	LED	POWER LED	
	C 950	QDYB1CM-103Y	C CAPACITOR				D 981	SLR-342MC-T	LED		
	C 951	QDYB1CM-103Y	C CAPACITOR				D 982	SLR-342MC-T	LED		
	C 991	QDYB1CM-103Y	C CAPACITOR				D 983	SLR-342MC-T	LED		
	C 992	QDYB1CM-103Y	C CAPACITOR				D 984	SLR-342MC-T	LED		
	CN602	QGB2510K2-04	CONNECTOR				EP201	E409182-001SM	GRAND TERMINAL		

■ Electrical parts list (Main & pre-amplifier board)

Block No. 02

△	Item	Parts number	Parts name	Remarks	Area
	FL801	QLF0074-001	FL TUBE		
	FW714	QUM155-11DGZ4	FLAT WIRE		
	FW850	QUM153-06Z4Z4	FLAT WIRE		
	FW862	QUM026-26DGZ4	FLAT WIRE		
	FW883	QUM026-26DGZ4	FLAT WIRE		
	FW915	QUM153-12DGZ4	FLAT WIRE		
	FW950	QUM157-11DGZ4	FLAT WIRE		
	FW951	QUM154-06Z4Z4	FLAT WIRE		
	FW952	QUM024-16DGZ4	PARA RIBON WIRE		
	IC810	MN101C35DEB	IC		
	IC811	BU4094BC	IC		
	IC853	LB1641	IC		
	IC915	GP1U281X	IC		
	JS950	QSW0857-001	ROTARY ENCODER		
	JS992	QSW0857-001	ROTARY ENCODER		
	J1001	QNS0159-001	3.5 JACK		
	L 801	QQL29BJ-100Z	INDUCTOR		
	L 802	QQL231K-220Y	INDUCTOR		
	L 803	QQL29BJ-100Z	INDUCTOR		
	L 805	QQL29BJ-100Z	INDUCTOR		
	L 806	QQL29BJ-100Z	INDUCTOR		
	L 807	QQR0779-001Z	INDUCTOR		
	L 811	QQR0779-001Z	INDUCTOR		
	L 834	QQR0779-001Z	INDUCTOR		
	L 851	QQL29BJ-100Z	INDUCTOR		
	L 870	QQR0779-001Z	INDUCTOR		
	L 880	QQR0779-001Z	INDUCTOR		
	L 886	QQR0779-001Z	INDUCTOR		
	L 888	QQR0779-001Z	INDUCTOR		
	L 889	QQR0779-001Z	INDUCTOR		
	L1001	QQL231K-470Y	INDUCTOR		
	L1002	QQL231K-470Y	INDUCTOR		
	PP801	RT-01T-1.3B	PIN SOCKET		
	Q 350	KRC104M-T	D.TRANSISTOR		
	Q 351	KRA104M-T	D.TRANSISTOR		
	Q 352	KTC3199/GL/-T	TRANSISTOR		
	Q 353	2SD2395/EF/	TRANSISTOR		
	Q 360	2SD2395/EF/	TRANSISTOR		
	Q 361	KTC3199/GL/-T	TRANSISTOR		
	Q 362	KTC3199/GL/-T	TRANSISTOR		
	Q 366	2SD2395/EF/	TRANSISTOR		
	Q 367	KTA1267/YG/-T	TRANSISTOR		
	Q 368	KTC3199/GL/-T	TRANSISTOR		
	Q 369	2SD2395/EF/	TRANSISTOR		
	Q 370	KTC3199/GL/-T	TRANSISTOR		
	Q 372	KTA1023/OY/-T	TRANSISTOR		
	Q 373	KRA104M-T	D.TRANSISTOR		
	Q 374	KRC104M-T	D.TRANSISTOR		
	Q 375	KTA1267/YG/-T	TRANSISTOR		
	Q 801	KTC3195/O/-T	TRANSISTOR		
	Q 802	KTC3195/O/-T	TRANSISTOR		
	Q 803	KRC102M-T	D.TRANSISTOR		
	Q 804	KRC102M-T	D.TRANSISTOR		
	Q 805	KRC102M-T	D.TRANSISTOR		
	Q 806	KRC102M-T	D.TRANSISTOR		
	Q 807	KRC102M-T	D.TRANSISTOR		
	Q 808	KRC102M-T	D.TRANSISTOR		
	Q 809	KRC102M-T	D.TRANSISTOR		
	Q 810	KRC102M-T	D.TRANSISTOR		
	Q 811	KRC102M-T	D.TRANSISTOR		
	Q 851	KTC3199/GL/-T	TRANSISTOR		
	Q 860	KTC3199/GL/-T	TRANSISTOR		
	Q 870	2SA1175/HFE/-T	TRANSISTOR		

△	Item	Parts number	Parts name	Remarks	Area
	Q 871	KTC3199/GL/-T	TRANSISTOR		
	Q 872	KRC107M-T	D.TRANSISTOR		
	Q 873	KTC3199/GL/-T	TRANSISTOR		
	Q 874	KTC3199/GL/-T	TRANSISTOR		
	Q 875	KRC102M-T	D.TRANSISTOR		
	Q 877	KRC114M-T	D.TRANSISTOR		
	Q 878	KRA102M-T	D.TRANSISTOR		
	Q 879	KRA102M-T	D.TRANSISTOR		
	Q 880	KRC102M-T	D.TRANSISTOR		
	Q 905	KRC104M-T	D.TRANSISTOR		
	Q 906	KRC104M-T	D.TRANSISTOR		
	Q 961	KRA102M-T	D.TRANSISTOR		
	R 350	QRE141J-103Y	C RESISTOR	10K 5% 1/4W	
	R 351	QRE141J-561Y	C RESISTOR	560 5% 1/4W	
	R 352	QRE141J-562Y	C RESISTOR	5.6K 5% 1/4W	
	R 360	QRZ9042-2R2X	F RESISTOR	2.2 1/0W	
△	R 361	QRZ9006-4R7X	F RESISTOR	4.7 1/0W	
	R 362	QRE141J-331Y	C RESISTOR	330 5% 1/4W	
	R 363	QRE141J-331Y	C RESISTOR	330 5% 1/4W	
	R 364	QRE141J-122Y	C RESISTOR	1.2K 5% 1/4W	
	R 365	QRE141J-201Y	C RESISTOR	200 5% 1/4W	
	R 366	QRE141J-201Y	C RESISTOR	200 5% 1/4W	
	R 367	QRE141J-122Y	C RESISTOR	1.2K 5% 1/4W	
	R 368	QRE141J-331Y	C RESISTOR	330 5% 1/4W	
	R 372	QRE141J-4R7Y	C RESISTOR	4.7 5% 1/4W	
	R 376	QRE141J-221Y	C RESISTOR	220 5% 1/4W	
	R 377	QRE141J-561Y	C RESISTOR	560 5% 1/4W	
	R 378	QRE141J-152Y	C RESISTOR	1.5K 5% 1/4W	
	R 381	QRE141J-182Y	C RESISTOR	1.8K 5% 1/4W	
	R 382	QRE141J-221Y	C RESISTOR	220 5% 1/4W	
	R 384	QRE141J-272Y	C RESISTOR	2.7K 5% 1/4W	
	R 385	QRE141J-562Y	C RESISTOR	5.6K 5% 1/4W	
	R 388	QRE141J-681Y	C RESISTOR	680 5% 1/4W	
	R 389	QRE141J-103Y	C RESISTOR	10K 5% 1/4W	
△	R 395	QRZ9042-2R2X	F.RESISTOR	2.2 1/0W	
△	R 396	QRZ9042-2R2X	F.RESISTOR	2.2 1/0W	
	R 801	QRE141J-331Y	C RESISTOR	330 5% 1/4W	
	R 802	QRE141J-223Y	C RESISTOR	22K 5% 1/4W	
	R 803	QRE141J-223Y	C RESISTOR	22K 5% 1/4W	
	R 804	QRE141J-822Y	C RESISTOR	8.2K 5% 1/4W	
	R 805	QRE141J-822Y	C RESISTOR	8.2K 5% 1/4W	
	R 806	QRE141J-124Y	C RESISTOR	120K 5% 1/4W	
	R 807	QRE141J-103Y	C RESISTOR	10K 5% 1/4W	
	R 808	QRE141J-103Y	C RESISTOR	10K 5% 1/4W	
	R 809	QRE141J-103Y	C RESISTOR	10K 5% 1/4W	
	R 810	QRE141J-103Y	C RESISTOR	10K 5% 1/4W	
	R 811	QRE141J-103Y	C RESISTOR	10K 5% 1/4W	
	R 812	QRE141J-103Y	C RESISTOR	10K 5% 1/4W	
	R 813	QRE141J-103Y	C RESISTOR	10K 5% 1/4W	
	R 814	QRE141J-562Y	C RESISTOR	5.6K 5% 1/4W	
	R 815	QRE141J-563Y	C RESISTOR	56K 5% 1/4W	
	R 816	QRE141J-563Y	C RESISTOR	56K 5% 1/4W	
	R 817	QRE141J-103Y	C RESISTOR	10K 5% 1/4W	
	R 818	QRE141J-103Y	C RESISTOR	10K 5% 1/4W	
	R 819	QRE141J-102Y	C RESISTOR	1.0K 5% 1/4W	
	R 820	QRE141J-102Y	C RESISTOR	1.0K 5% 1/4W	
	R 821	QRE141J-103Y	C RESISTOR	10K 5% 1/4W	
	R 822	QRE141J-103Y	C RESISTOR	10K 5% 1/4W	
	R 823	QRE141J-102Y	C RESISTOR	1.0K 5% 1/4W	
	R 824	QRE141J-102Y	C RESISTOR	1.0K 5% 1/4W	
	R 827	QRE141J-103Y	C RESISTOR	10K 5% 1/4W	
	R 831	QRE141J-104Y	C RESISTOR	100K 5% 1/4W	
	R 834	QRE141J-104Y	C RESISTOR	100K 5% 1/4W	

■ Electrical parts list (Main & pre-amplifier board)

Block No. 02

△	Item	Parts number	Parts name	Remarks	Area	△	Item	Parts number	Parts name	Remarks	Area
	R 835	QRE141J-104Y	C RESISTOR	100K 5% 1/4W			R 933	QRE141J-152Y	C RESISTOR	1.5K 5% 1/4W	
	R 836	QRE141J-104Y	C RESISTOR	100K 5% 1/4W			R 934	QRE141J-222Y	C RESISTOR	2.2K 5% 1/4W	
	R 837	QRE141J-104Y	C RESISTOR	100K 5% 1/4W			R 935	QRE141J-272Y	C RESISTOR	2.7K 5% 1/4W	
	R 838	QRE141J-102Y	C RESISTOR	1.0K 5% 1/4W			R 936	QRE141J-392Y	C RESISTOR	3.9K 5% 1/4W	
	R 839	QRE141J-102Y	C RESISTOR	1.0K 5% 1/4W			R 937	QRE141J-562Y	C RESISTOR	5.6K 5% 1/4W	
	R 840	QRE141J-103Y	C RESISTOR	10K 5% 1/4W			R 938	QRE141J-103Y	C RESISTOR	10K 5% 1/4W	
	R 841	QRE141J-103Y	C RESISTOR	10K 5% 1/4W			R 939	QRE141J-103Y	C RESISTOR	10K 5% 1/4W	
	R 842	QRE141J-103Y	C RESISTOR	10K 5% 1/4W			R 941	QRE141J-102Y	C RESISTOR	1.0K 5% 1/4W	
	R 844	QRE141J-103Y	C RESISTOR	10K 5% 1/4W			R 942	QRE141J-102Y	C RESISTOR	1.0K 5% 1/4W	
	R 845	QRE141J-102Y	C RESISTOR	1.0K 5% 1/4W			R 943	QRE141J-122Y	C RESISTOR	1.2K 5% 1/4W	
	R 846	QRE141J-102Y	C RESISTOR	1.0K 5% 1/4W			R 944	QRE141J-152Y	C RESISTOR	1.5K 5% 1/4W	
	R 847	QRE141J-102Y	C RESISTOR	1.0K 5% 1/4W			R 945	QRE141J-222Y	C RESISTOR	2.2K 5% 1/4W	
	R 848	QRE141J-331Y	C RESISTOR	330 5% 1/4W			R 946	QRE141J-272Y	C RESISTOR	2.7K 5% 1/4W	
	R 849	QRE141J-102Y	C RESISTOR	1.0K 5% 1/4W			R 951	QRE141J-183Y	C RESISTOR	18K 5% 1/4W	
	R 850	QRE141J-681Y	C RESISTOR	680 5% 1/4W			R 952	QRE141J-392Y	C RESISTOR	3.9K 5% 1/4W	
	R 851	QRE141J-391Y	C RESISTOR	390 5% 1/4W			R 953	QRE141J-562Y	C RESISTOR	5.6K 5% 1/4W	
	R 852	QRE141J-4R7Y	C RESISTOR	4.7 5% 1/4W			R 954	QRE141J-103Y	C RESISTOR	10K 5% 1/4W	
	R 853	QRZ9042-2R2X	F RESISTOR	2.2 1/0W			R 955	QRE141J-680Y	C RESISTOR	68 5% 1/4W	
	R 856	QRE141J-100Y	C RESISTOR	10 5% 1/4W			R 956	QRE141J-680Y	C RESISTOR	68 5% 1/4W	
	R 857	QRE141J-104Y	C RESISTOR	100K 5% 1/4W			R 961	QRE141J-201Y	C RESISTOR	200 5% 1/4W	
	R 858	QRE141J-104Y	C RESISTOR	100K 5% 1/4W			R 962	QRE141J-103Y	C RESISTOR	10K 5% 1/4W	
	R 860	QRE141J-684Y	C RESISTOR	680K 5% 1/4W			R 963	QRE141J-103Y	C RESISTOR	10K 5% 1/4W	
	R 861	QRE141J-103Y	C RESISTOR	10K 5% 1/4W			R 964	QRE141J-334Y	C RESISTOR	330K 5% 1/4W	
	R 862	QRE141J-220Y	C RESISTOR	22 5% 1/4W			R 981	QRE141J-680Y	C RESISTOR	68 5% 1/4W	
	R 864	QRE141J-103Y	C RESISTOR	10K 5% 1/4W			R 982	QRE141J-680Y	C RESISTOR	68 5% 1/4W	
	R 870	QRE141J-473Y	C RESISTOR	47K 5% 1/4W			R 985	QRE141J-392Y	C RESISTOR	3.9K 5% 1/4W	
	R 871	QRE141J-102Y	C RESISTOR	1.0K 5% 1/4W			R 986	QRE141J-562Y	C RESISTOR	5.6K 5% 1/4W	
	R 872	QRE141J-103Y	C RESISTOR	10K 5% 1/4W			R 991	QRE141J-102Y	C RESISTOR	1.0K 5% 1/4W	
	R 873	QRE141J-103Y	C RESISTOR	10K 5% 1/4W			R 992	QRE141J-102Y	C RESISTOR	1.0K 5% 1/4W	
	R 874	QRE141J-182Y	C RESISTOR	1.8K 5% 1/4W			R 993	QRE141J-122Y	C RESISTOR	1.2K 5% 1/4W	
	R 875	QRE141J-472Y	C RESISTOR	4.7K 5% 1/4W			R 994	QRE141J-152Y	C RESISTOR	1.5K 5% 1/4W	
	R 876	QRE141J-103Y	C RESISTOR	10K 5% 1/4W			R 995	QRE141J-222Y	C RESISTOR	2.2K 5% 1/4W	
	R 879	QRE141J-473Y	C RESISTOR	47K 5% 1/4W			R 996	QRE141J-272Y	C RESISTOR	2.7K 5% 1/4W	
	R 880	QRE141J-225Y	C RESISTOR	2.2M 5% 1/4W			RA801	QRB169J-104	R.NETWORK	100K 5% 1/6W	
	R 881	QRE141J-103Y	C RESISTOR	10K 5% 1/4W			RA802	QRB169J-104	R.NETWORK	100K 5% 1/6W	
	R 882	QRE141J-104Y	C RESISTOR	100K 5% 1/4W			S 921	QSW0825-001Z	TACT SWITCH		
	R 883	QRE141J-220Y	C RESISTOR	22 5% 1/4W			S 922	QSW0825-001Z	TACT SWITCH		
	R 885	QRE141J-102Y	C RESISTOR	1.0K 5% 1/4W			S 923	QSW0825-001Z	TACT SWITCH		
	R 886	QRE141J-102Y	C RESISTOR	1.0K 5% 1/4W			S 924	QSW0825-001Z	TACT SWITCH		
	R 887	QRE141J-102Y	C RESISTOR	1.0K 5% 1/4W			S 925	QSW0825-001Z	TACT SWITCH		
	R 888	QRE141J-102Y	C RESISTOR	1.0K 5% 1/4W			S 926	QSW0825-001Z	TACT SWITCH		
	R 889	QRE141J-102Y	C RESISTOR	1.0K 5% 1/4W			S 927	QSW0825-001Z	TACT SWITCH		
	R 891	QRE141J-104Y	C RESISTOR	100K 5% 1/4W			S 928	QSW0825-001Z	TACT SWITCH		
	R 892	QRE141J-104Y	C RESISTOR	100K 5% 1/4W			S 931	QSW0825-001Z	TACT SWITCH		
	R 893	QRE141J-753Y	C RESISTOR	75K 5% 1/4W			S 932	QSW0825-001Z	TACT SWITCH		
	R 894	QRE141J-334Y	C RESISTOR	330K 5% 1/4W			S 933	QSW0825-001Z	TACT SWITCH		
	R 895	QRE141J-152Y	C RESISTOR	1.5K 5% 1/4W			S 934	QSW0825-001Z	TACT SWITCH		
	R 896	QRE141J-103Y	C RESISTOR	10K 5% 1/4W			S 935	QSW0825-001Z	TACT SWITCH		
	R 897	QRE141J-152Y	C RESISTOR	1.5K 5% 1/4W			S 936	QSW0825-001Z	TACT SWITCH		
	R 898	QRE141J-103Y	C RESISTOR	10K 5% 1/4W			S 937	QSW0825-001Z	TACT SWITCH		
	R 899	QRE141J-4R3Y	C RESISTOR	4.3 5% 1/4W			S 938	QSW0825-001Z	TACT SWITCH		
	R 905	QRE141J-104Y	C RESISTOR	100K 5% 1/4W			S 939	QSW0825-001Z	TACT SWITCH		
	R 906	QRE141J-104Y	C RESISTOR	100K 5% 1/4W			S 941	QSW0825-001Z	TACT SWITCH		
	R 921	QRE141J-102Y	C RESISTOR	1.0K 5% 1/4W			S 942	QSW0825-001Z	TACT SWITCH		
	R 922	QRE141J-102Y	C RESISTOR	1.0K 5% 1/4W			S 943	QSW0825-001Z	TACT SWITCH		
	R 923	QRE141J-122Y	C RESISTOR	1.2K 5% 1/4W			S 944	QSW0825-001Z	TACT SWITCH		
	R 924	QRE141J-152Y	C RESISTOR	1.5K 5% 1/4W			S 945	QSW0825-001Z	TACT SWITCH		
	R 925	QRE141J-222Y	C RESISTOR	2.2K 5% 1/4W			S 946	QSW0825-001Z	TACT SWITCH		
	R 926	QRE141J-272Y	C RESISTOR	2.7K 5% 1/4W			S 948	QSW0122-001	PUSH SWITCH	PANEL OP	
	R 927	QRE141J-392Y	C RESISTOR	3.9K 5% 1/4W			S 949	QSW0518-001	PUSH SWITCH	PANEL CL	
	R 928	QRE141J-562Y	C RESISTOR	5.6K 5% 1/4W			S 952	QSW0825-001Z	TACT SWITCH		
	R 931	QRE141J-202Y	C RESISTOR	2.0K 5% 1/4W			S 953	QSW0825-001Z	TACT SWITCH		
	R 932	QRE141J-122Y	C RESISTOR	1.2K 5% 1/4W			S 963	QSW0825-001Z	TACT SWITCH		

■ Electrical parts list (Main & pre-amplifier board) Block No. 02

△	Item	Parts number	Parts name	Remarks	Area
	S 985	QSW0825-001Z	TACT SWITCH		
	S 986	QSW0825-001Z	TACT SWITCH		
	S 991	QSW0825-001Z	TACT SWITCH		
	S 992	QSW0825-001Z	TACT SWITCH		
	S 993	QSW0825-001Z	TACT SWITCH		
	S 994	QSW0825-001Z	TACT SWITCH		
	S 995	QSW0825-001Z	TACT SWITCH		
	S 996	QSW0825-001Z	TACT SWITCH		
	S 997	QSW0825-001Z	TACT SWITCH		
	SP801	VYH7653-001	IC HOLDER		
	SP814	E3400-431	SPACER		
	SP823	VYSH101-009	SPACER		
	X 801	QAX0283-001Z	RESONATOR		
	X 802	QAX0401-001	CRYSTAL		

■ Electrical parts list (VCD board) Block No. 03

△	Item	Parts number	Parts name	Remarks	Area
	C 100	QETN0JM-108Z	E CAPACITOR	1000MF 20% 6.3V	
	C 101	EETC1HM-225ZJC	E CAPACITOR		
	C 102	QETN1HM-476Z	E CAPACITOR	47MF 20% 50V	
	C 130	EETC1AM-107ZJC	E CAPACITOR		
	C 131	EETC1HM-225ZJC	E CAPACITOR		
	C 132	QDCB1HJ-180Y	C CAPACITOR		
	C 133	FQDYB1CM-103Y	C CAPACITOR		
	C 134	FQDXB1CM-122Y	C CAPACITOR		
	C 135	QDYB1CM-103Y	C CAPACITOR		
	C 136	QDYB1CM-103Y	C CAPACITOR		
	C 137	FQDGB1HK-102Y	C CAPACITOR		
	C 138	FQDGB1HK-102Y	C CAPACITOR		
	C 140	FQDGB1HK-102Y	C CAPACITOR		
	C 141	QDYB1CM-103Y	C CAPACITOR		
	C 142	QDYB1CM-103Y	C CAPACITOR		
	CN100	QGF1016F1-19	CONNECTOR		
	CN101	QGF1016F1-05	CONNECTOR		
	CN102	QGD2503F1-05	SOCKET		
	C1503	EETC0JM-477ZJC	E CAPACITOR		
	C1504	FQCS31HJ-470Z	C CAPACITOR		
	C1505	QCZ0205-155Z	ML C CAPACITOR	1.5MF	
	D 100	MTZJ3.9B-T2	Z DIODE		
	D 101	11EQS03LN-T2	SB DIODE		
	D 102	1N4003S-T5	SI DIODE		
	D1501	MTZJ6.8C-T2	Z DIODE		
	D1502	MTZJ6.8C-T2	Z DIODE		
	FW103	QUM153-14Z4Z4	FLAT WIRE		
	IC100	PQ1CG21H2FZ	IC		
	JA302	QNN0017-002	PIN JACK		
	L 101	QQL31AK-151Z	INDUCTOR		
	L 102	QQR0779-001Z	INDUCTOR		
	L 103	QQR0779-001Z	INDUCTOR		
	L 104	QQR0779-001Z	INDUCTOR		
	L 105	QQR0779-001Z	INDUCTOR		
	L 107	QQR0779-001Z	INDUCTOR		
	L 108	QQR0779-001Z	INDUCTOR		
	L 109	QQR0779-001Z	INDUCTOR		
	L 110	QQR0779-001Z	INDUCTOR		
	L1501	QQR0779-001Z	INDUCTOR		
	PP100	RT-01T-1.3B	PIN SOCKET		
	PP102	RT-01T-1.3B	PIN SOCKET		
	Q 100	KRA102M-T	D.TRANSISTOR		
	Q 130	KTA1271/OY/-T	TRANSISTOR		
	Q 131	KRC102M-T	D.TRANSISTOR		
	R 100	QRE141J-561Y	C RESISTOR	560 5% 1/4W	
	R 101	QRE141J-122Y	C RESISTOR	1.2K 5% 1/4W	
	R 102	QRE141J-122Y	C RESISTOR	1.2K 5% 1/4W	
	R 103	QRE141J-102Y	C RESISTOR	1.0K 5% 1/4W	
	R 104	QRE141J-751Y	C RESISTOR	750 5% 1/4W	
	R 105	QRE141J-102Y	C RESISTOR	1.0K 5% 1/4W	
	△ R 124	QRJ146J-4R7X	UNF C.RESISTOR	4.7 5% 1/4W	
	△ R 125	QRJ146J-4R7X	UNF C.RESISTOR	4.7 5% 1/4W	
	R 130	QRE141J-103Y	C RESISTOR	10K 5% 1/4W	
	R 131	QRE141J-102Y	C RESISTOR	1.0K 5% 1/4W	
	R 132	QRE141J-102Y	C RESISTOR	1.0K 5% 1/4W	
	R 133	QRE141J-181Y	C RESISTOR	180 5% 1/4W	
	R 134	QRE141J-181Y	C RESISTOR	180 5% 1/4W	
	R1502	QRE141J-104Y	C RESISTOR	100K 5% 1/4W	
	SP133	E3400-431	SPACER		
	SP150	E3400-431	SPACER		
	TW101	RT-01T-1.3B	PIN SOCKET		

■ Electrical parts list (Tuner board)

Block No. 04

△	Item	Parts number	Parts name	Remarks	Area	△	Item	Parts number	Parts name	Remarks	Area
	C 1	NCB21HK-223X	C CAPACITOR				IC 2	LC72136N	IC		
	C 2	NCB21HK-103X	C CAPACITOR				J 1	QNB0014-001	ANT TERMINAL		
	C 3	EETC1CM-106ZJC	E.CAPACITOR				L 1	QQR0796-002	COIL BLOCK		
	C 4	NCB21HK-103X	C CAPACITOR				Q 1	2SC2814/4-5/-X	TRANSISTOR		
	C 6	NCB21HK-102X	C CAPACITOR				Q 5	DTA114YKA-X	TRANSISTOR		
	C 7	NCB21HK-102X	C CAPACITOR				R 1	QRE141J-560Y	C RESISTOR	56 5% 1/4W	
	C 8	NCB21HK-102X	C CAPACITOR				R 2	NRSA02J-331X	MG RESISTOR		
	C 10	NRSA02J-0R0X	MG RESISTOR				R 3	NRSA02J-224X	MG RESISTOR		
	C 11	NCB21HK-104X	C CAPACITOR				R 4	NRSA02J-331X	MG RESISTOR		
	C 12	NCB21HK-473X	C CAPACITOR				R 5	NRSA02J-560X	MG RESISTOR		
	C 13	NCS21HJ-120X	C CAPACITOR				R 6	NRSA02J-240X	MG RESISTOR		
	C 14	QEKC1AM-107Z	E.CAPACITOR	100MF 20% 10V			R 10	NRSA02J-222X	MG RESISTOR		
	C 15	NCS21HJ-120X	C CAPACITOR				R 13	NRSA02J-103X	MG RESISTOR		
	C 16	NCS21HJ-120X	C CAPACITOR				R 14	NRSA02J-104X	MG RESISTOR		
	C 17	NCB21HK-392X	C CAPACITOR				R 15	NRSA02J-332X	MG RESISTOR		
	C 18	QEQ61HM-474Z	N.P.E.CAPACITOR	.47MF 20% 50V			R 16	NRSA02J-472X	MG RESISTOR		
	C 19	NCB21HK-473X	C CAPACITOR			△	R 17	QRZ9005-680X	MG RESISTOR	68 1/0W	
	C 20	NCB21HK-102X	C CAPACITOR				R 18	NRSA02J-102X	MG RESISTOR		
	C 21	NCB21HK-223X	C CAPACITOR				R 19	NRSA02J-102X	MG RESISTOR		
	C 22	NCS21HJ-151X	C CAPACITOR				R 20	NRSA02J-102X	MG RESISTOR		
	C 23	NCS21HJ-151X	C CAPACITOR				R 21	NRSA02J-562X	MG RESISTOR		
	C 24	NCS21HJ-151X	C CAPACITOR				R 22	NRSA02J-472X	MG RESISTOR		
	C 25	QEKC1AM-107Z	E CAPACITOR	100MF 20% 10V			R 23	NRSA02J-182X	MG RESISTOR		
	C 26	NCB21HK-102X	C CAPACITOR				R 24	NRSA02J-103X	MG RESISTOR		
	C 27	NCB21HK-102X	C CAPACITOR				R 25	NRSA02J-331X	MG RESISTOR		
	C 30	EETC1CM-107ZJC	E CAPACITOR				R 26	NRSA02J-222X	MG RESISTOR		
	C 31	QEKC1CM-226Z	E CAPACITOR	22MF 20% 16V			R 27	NRSA02J-103X	MG RESISTOR		
	C 32	NCB21HK-473X	C CAPACITOR				R 28	NRSA02J-103X	MG RESISTOR		
	C 33	NCB21HK-473X	C CAPACITOR				R 29	NRSA02J-103X	MG RESISTOR		
	C 34	NCB21HK-223X	C CAPACITOR				R 30	NRSA02J-122X	MG RESISTOR		
	C 35	NCB21HK-473X	C CAPACITOR				R 31	NRSA02J-102X	MG RESISTOR		
	C 36	EETC1HM-105ZJC	E CAPACITOR				R 32	NRSA02J-102X	MG RESISTOR		
	C 37	EETC1HM-105ZJC	E CAPACITOR				R 33	NRSA02J-331X	MG RESISTOR		
	C 38	EETC1HM-224ZJC	E CAPACITOR				R 34	NRSA02J-470X	MG RESISTOR		
	C 39	EETC1HM-105ZJC	E CAPACITOR				R 35	NRSA02J-562X	MG RESISTOR		
	C 40	QETN1CM-106Z	E CAPACITOR	10MF 20% 16V			R 36	NRSA02J-332X	MG RESISTOR		
	C 41	QETN1CM-106Z	E CAPACITOR	10MF 20% 16V			R 37	NRSA02J-103X	MG RESISTOR		
	C 42	NCB21HK-152X	C CAPACITOR				R 38	NRSA02J-563X	MG RESISTOR		
	C 43	NCB21HK-152X	C CAPACITOR				R 39	NRSA02J-563X	MG RESISTOR		
	C 44	QETN1CM-106Z	E CAPACITOR	10MF 20% 16V			R 40	NRSA02J-243X	MG RESISTOR		
	C 45	QETN1CM-106Z	E CAPACITOR	10MF 20% 16V			R 41	NRSA02J-332X	MG RESISTOR		
	C 46	NCB21HK-273X	C CAPACITOR				R 60	NRSA02J-0R0X	MG RESISTOR		
	C 47	EETC1HM-105ZJC	E CAPACITOR				T 1	QQR0793-001	IFT		
	C 48	NCB21HK-222X	C CAPACITOR				TU 1	QAU0161-001	FRONT END		
	C 49	NCS21HJ-471X	C CAPACITOR				X 1	QAX0402-001	CRYSTAL		
	C 50	QEKC1CM-226Z	E CAPACITOR	22MF 20% 16V							
	C 51	QEKC1HM-105Z	E CAPACITOR	1.0MF 20% 50V							
	C 52	QFVJ1HJ-274Z	MF CAPACITOR	.27MF 5% 50V							
	C 53	EETC1CM-226ZJC	E CAPACITOR								
	C 54	NCB21HK-473X	C CAPACITOR								
	C 57	NCB21HK-102X	C CAPACITOR								
	C 58	NCB21HK-473X	C CAPACITOR								
	C 59	NCB21HK-102X	C CAPACITOR								
	CF 1	VCF2L3B-105Z	CERAMIC FILTER								
	CF 2	VCF2L3B-105Z	CERAMIC FILTER								
	CF 3	QAX0610-001Z	C DISCRIMINATOR								
	CN 1	QGF1205F1-09	CONNECTOR								
	D 1	1SS133-T2	SI DIODE								
	D 2	1SS133-T2	SI DIODE								
	D 3	1SS133-T2	SI DIODE								
	D 4	1SS133-T2	SI DIODE								
	D 11	1SS133-T2	SI DIODE								
	IC 1	LA1838	IC								

■ Electrical parts list (Video CD board)

Block No. 05

△	Item	Parts number	Parts name	Remarks	Area	△	Item	Parts number	Parts name	Remarks	Area
	C 101	NCB31CK-104X	C CAPACITOR				C 175	NEA70JM-107X	E.CAPACITOR		
	C 102	NCB31CK-104X	C CAPACITOR				C 176	NCB31CK-104X	C CAPACITOR		
	C 103	NCB31CK-104X	C CAPACITOR				C 177	NCB31CK-104X	C CAPACITOR		
	C 104	NCB31CK-104X	C CAPACITOR				C 178	NCB31CK-104X	C CAPACITOR		
	C 105	NCB31CK-104X	C CAPACITOR				C 181	NCF31EZ-104X	C CAPACITOR		
	C 106	NCB31CK-104X	C CAPACITOR				C 182	NCB31CK-104X	C CAPACITOR		
	C 107	NCB31CK-104X	C CAPACITOR				C 183	NEA70JM-107X	E.CAPACITOR		
	C 108	NCB31CK-104X	C CAPACITOR				C 184	NCB31CK-104X	C CAPACITOR		
	C 109	NCB31CK-104X	C CAPACITOR				C 185	NEA70JM-107X	E.CAPACITOR		
	C 110	NCB31CK-104X	C CAPACITOR				C 186	NCB31CK-104X	C CAPACITOR		
	C 111	NCB31CK-104X	C CAPACITOR				C 187	NEA70JM-107X	E.CAPACITOR		
	C 112	NCB31CK-104X	C CAPACITOR				C 194	NCS31HJ-391X	C CAPACITOR		
	C 113	NCB31CK-104X	C CAPACITOR				CN101	QGF1032C1-19X	FFC/FPC CONNE		
	C 114	NCB31CK-104X	C CAPACITOR				CN102	QGF1032C1-23X	FFC/FPC CONNE		
	C 115	NCB31CK-104X	C CAPACITOR				D 151	UDZ4.7B-X	ZENER DIODE		
	C 116	NCB31CK-104X	C CAPACITOR				D 161	UDZ4.7B-X	ZENER DIODE		
	C 117	NCB31CK-104X	C CAPACITOR				D 162	UDZ4.7B-X	ZENER DIODE		
	C 118	NCB31CK-104X	C CAPACITOR				D 163	UDZ4.7B-X	ZENER DIODE		
	C 119	NCB31CK-104X	C CAPACITOR				D 165	1SR154-400-X	DIODE		
	C 120	NCB31CK-104X	C CAPACITOR				IC101	CL8830-PE0	IC		
	C 121	NCB31CK-104X	C CAPACITOR				IC102	NAX0265-001X	IC		
	C 122	NCB31CK-104X	C CAPACITOR				IC103	MN102L490A	MICOM		
	C 123	NCB31CK-104X	C CAPACITOR				IC104	HY57V161610DTC8	IC		
	C 124	NCB31CK-104X	C CAPACITOR				IC105	MX23C40M12-587X	IC		
	C 125	NCB31CK-104X	C CAPACITOR				IC106	TC74VHC00FT-X	IC		
	C 126	NCB31CK-104X	C CAPACITOR				IC107	TC74VHC74FT-X	IC		
	C 127	NCB31CK-104X	C CAPACITOR				IC151	UPD6461GS-635-X	IC		
	C 128	NCB31CK-104X	C CAPACITOR				IC152	BU1427K	IC		
	C 129	NEA70JM-226X	E CAPACITOR				IC181	HD74HCT244FP-XE	IC		
	C 131	NCS31HJ-150X	C CAPACITOR				K 101	NQR0398-002X	F.BEADS		
	C 132	NCS31HJ-150X	C CAPACITOR				K 102	NQR0398-002X	F.BEADS		
	C 133	NCF31EZ-104X	C CAPACITOR				K 103	NQR0398-002X	F.BEADS		
	C 134	NCF31EZ-104X	C CAPACITOR				K 181	NQR0398-002X			
	C 135	NCF31EZ-104X	C CAPACITOR				K 182	NQR0398-002X			
	C 136	NCF31EZ-104X	C CAPACITOR				K 183	NQR0398-002X			
	C 137	NCF31EZ-104X	C CAPACITOR				K 184	NQR0398-002X			
	C 138	NCF31EZ-104X	C CAPACITOR				L 161	FNQL012K-2R7X	INDUCTOR		
	C 139	NCB31CK-104X	C CAPACITOR				L 162	FNQL012K-2R7X	INDUCTOR		
	C 140	NEA70JM-226X	E CAPACITOR				L 163	FNQL012K-2R7X	INDUCTOR		
	C 141	NCB31CK-104X	C CAPACITOR				L 164	FNQL012K-1R8X	INDUCTOR		
	C 142	NCF31EZ-104X	C CAPACITOR				L 165	FNQL012K-1R8X	INDUCTOR		
	C 143	NCB31CK-104X	C CAPACITOR				L 166	FNQL012K-1R8X	INDUCTOR		
	C 146	NCF31EZ-104X	C CAPACITOR				Q 161	DTA114EKA-X	DIGITAL.TRANSIS		
	C 148	NCS31HJ-220X	C CAPACITOR				R 101	NRSA63J-472X	MG RESISTOR		
	C 151	NCF31EZ-104X	C CAPACITOR				R 102	NRSA63J-332X	MG RESISTOR		
	C 152	NCB31HK-472X	C CAPACITOR				R 104	NRSA63J-102X	MG RESISTOR		
	C 157	NCB31HK-103X	C CAPACITOR				R 105	NRSA63J-151X	MG RESISTOR		
	C 158	NCF31EZ-104X	C CAPACITOR				R 106	NRSA63J-105X	MG RESISTOR		
	C 159	NCB31CK-104X	C CAPACITOR				R 107	NRSA63J-222X	MG RESISTOR		
	C 160	NEA70JM-107X	E.CAPACITOR				R 108	NRSA63J-103X	MG RESISTOR		
	C 161	NCF31EZ-104X	C CAPACITOR				R 109	NRSA63J-102X	MG RESISTOR		
	C 162	NCS31HJ-271X	C CAPACITOR				R 110	NRSA63J-473X	MG RESISTOR		
	C 163	NCS31HJ-271X	C CAPACITOR				R 111	NRSA63J-473X	MG RESISTOR		
	C 164	NCS31HJ-271X	C CAPACITOR				R 112	NRSA63J-750X	MG RESISTOR		
	C 165	NCS31HJ-101X	C CAPACITOR				R 121	NRSA63J-0R0X	MG RESISTOR		
	C 166	NCS31HJ-101X	C CAPACITOR				R 131	NRSA63J-330X	MG RESISTOR		
	C 167	NCS31HJ-101X	C CAPACITOR				R 132	NRSA63J-330X	MG RESISTOR		
	C 168	NCS31HJ-331X	C CAPACITOR				R 133	NRSA63J-330X	MG RESISTOR		
	C 169	NCS31HJ-331X	C CAPACITOR				R 134	NRSA63J-330X	MG RESISTOR		
	C 170	NCS31HJ-331X	C CAPACITOR				R 135	NRSA63J-330X	MG RESISTOR		
	C 171	NCS31HJ-151X	C CAPACITOR				R 136	NRSA63J-330X	MG RESISTOR		
	C 172	NCS31HJ-151X	C CAPACITOR				R 137	NRSA63J-330X	MG RESISTOR		
	C 173	NCS31HJ-151X	C CAPACITOR				R 138	NRSA63J-330X	MG RESISTOR		

■ Electrical parts list (Video CD board)

Block No. 05

△	Item	Parts number	Parts name	Remarks	Area
	R 139	NRSA63J-330X	MG RESISTOR		
	R 140	NRSA63J-330X	MG RESISTOR		
	R 141	NRSA63J-330X	MG RESISTOR		
	R 142	NRSA63J-330X	MG RESISTOR		
	R 143	NRSA63J-330X	MG RESISTOR		
	R 144	NRSA63J-330X	MG RESISTOR		
	R 145	NRSA63J-330X	MG RESISTOR		
	R 146	NRSA63J-330X	MG RESISTOR		
	R 147	NRSA63J-330X	MG RESISTOR		
	R 148	NRSA63J-330X	MG RESISTOR		
	R 151	NRSA63J-562X	MG RESISTOR		
	R 152	NRSA63J-750X	MG RESISTOR		
	R 155	NRSA63J-820X	MG RESISTOR		
	R 157	NRSA63J-0R0X	MG RESISTOR		
	R 159	NRSA63J-0R0X	MG RESISTOR		
	R 160	NRSA63J-112X	MG RESISTOR		
	R 161	NRSA63J-0R0X	MG RESISTOR		
	R 163	NRSA63J-0R0X	MG RESISTOR		
	R 164	NRSA63J-750X	MG RESISTOR		
	R 165	NRSA63J-750X	MG RESISTOR		
	R 166	NRSA63J-750X	MG RESISTOR		
	R 167	NRSA63J-271X	MG RESISTOR		
	R 171	NRSA63J-271X	MG RESISTOR		
	R 172	NRSA63J-271X	MG RESISTOR		
	R 173	NRSA63J-271X	MG RESISTOR		
	R 174	NRSA63J-271X	MG RESISTOR		
	R 175	NRSA63J-390X	MG RESISTOR		
	R 181	NRSA63J-750X	MG RESISTOR		
	R 182	NRSA63J-271X	MG RESISTOR	(C197)	
	R 183	NRSA63J-0R0X	MG RESISTOR		
	R 184	NRSA63J-330X	MG RESISTOR		
	R 185	NRSA63J-330X	MG RESISTOR		
	R 186	NRSA63J-330X	MG RESISTOR		
	R 187	NRSA63J-471X	MG RESISTOR		
	R 188	NRSA63J-471X	MG RESISTOR		
	R 189	NRSA63J-471X	MG RESISTOR		
	R 190	NRSA63J-0R0X	MG RESISTOR		
	R 191	NRSA63J-471X	MG RESISTOR		
	R 192	NRSA63J-0R0X	MG RESISTOR		
	R 193	NRSA63J-472X	MG RESISTOR		
	R 194	NRSA63J-103X	MG RESISTOR		
	X 101	NAX0150-001X	CRYSTAL		

■ Electrical parts list (CD servo control board)

Block No. 06

△	Item	Parts number	Parts name	Remarks	Area	△	Item	Parts number	Parts name	Remarks	Area
	C 253	NCB21EK-104X	C CAPACITOR				C 859	NCF21CZ-105X	C CAPACITOR		
	C 254	QERF1AM-476Z	E CAPACITOR	47MF 20% 10V			C 860	NCF21CZ-105X	C CAPACITOR		
	C 291	QERF1AM-476Z	E CAPACITOR	47MF 20% 10V			CN151	EMV7171-123R	CONNECTOR		
	C 601	NCB21HK-102X	C CAPACITOR				CN601	QGF1016F1-15	15FFC CONNECTOR		
	C 602	NCB21HK-102X	C CAPACITOR				CN651	QGF1016F1-19	CONNECTOR		
	C 603	NCB21HK-223X	C CAPACITOR				CN652	QGF1016F1-05	CONNECTOR		
	C 604	NCB21HK-223X	C CAPACITOR				CN801	QGA2001C1-06	6P PLUG ASSY		
	C 605	NCS21HJ-271X	C CAPACITOR				CN854	QGB2016K1-07	CONNECTOR		
	C 606	NCS21HJ-221X	C CAPACITOR				CN855	QGG2002M4-10	CONNECTOR		
	C 607	NCB21HK-222X	C CAPACITOR				D 801	DSK10C-T1	DIODE		
	C 608	NCB21HK-223X	C CAPACITOR				IC251	HD6433657A29H	IC		
	C 610	NCB21EK-563X	C CAPACITOR				IC601	AN8806SB-W	IC		
	C 611	NCB21EK-104X	C CAPACITOR				IC651	MN35511	IC		
	C 612	QER41HM-105	E CAPACITOR	1.0MF 20% 50V			IC652	NJM4580E-W	IC		
	C 613	NCS21HJ-101X	C CAPACITOR				IC801	LA6541-X	IC		
	C 614	NCB21HK-273X	C CAPACITOR				IC851	TA8409S	IC		
	C 615	NCB21HK-472X	C CAPACITOR				IC852	TA8409S	IC		
	C 616	NCB21HK-103X	C CAPACITOR				L 851	QQL01BK-100Z	INDUCTOR		
	C 619	NCS21HJ-150X	C CAPACITOR				L 853	QQL01BK-100Z	INDUCTOR		
	C 620	NCS21HJ-470X	C CAPACITOR				L 854	QQL01BK-100Z	INDUCTOR		
	C 621	NCB21EK-104X	C CAPACITOR				Q 291	2SB1357/EF/-T	TRANSISTOR		
	C 623	NCF21CZ-105X	C CAPACITOR				Q 631	2SA1037AK/RS/-X	TRANSISTOR		
	C 624	QERFOJM-107Z	E CAPACITOR	100MF 20% 6.3V			Q 632	DTC124EKA-X	TRANSISTOR		
	C 631	QER41CM-106	E CAPACITOR	10MF 20% 16V			R 253	NRSA02J-102X	MG RESISTOR		
	C 632	NCF21CZ-105X	C CAPACITOR				R 254	NRSA02J-102X	MG RESISTOR		
	C 633	NCB21HK-223X	C CAPACITOR				R 255	NRSA02J-102X	MG RESISTOR		
	C 651	NCS21HJ-120X	C CAPACITOR				R 256	NRSA02J-102X	MG RESISTOR		
	C 652	NCS21HJ-120X	C CAPACITOR				R 257	NRSA02J-102X	MG RESISTOR		
	C 653	NCB21EK-104X	C CAPACITOR				R 258	NRSA02J-102X	MG RESISTOR		
	C 655	NCB21EK-104X	C CAPACITOR				R 259	NRSA02J-105X	MG RESISTOR		
	C 656	NCB21EK-104X	C CAPACITOR				R 260	NRSA02J-102X	MG RESISTOR		
	C 657	QER41AM-227	E CAPACITOR	220MF 20% 10V			R 261	NRSA02J-102X	MG RESISTOR		
	C 658	NCB21EK-104X	C CAPACITOR				R 262	NRSA02J-223X	MG RESISTOR		
	C 661	NCS21HJ-471X	C CAPACITOR				R 263	NRSA02J-223X	MG RESISTOR		
	C 663	NCB21HK-223X	C CAPACITOR				R 264	NRSA02J-223X	MG RESISTOR		
	C 664	NCB21HK-223X	C CAPACITOR				R 265	NRSA02J-223X	MG RESISTOR		
	C 665	NCB21CK-154X	C CAPACITOR				R 274	NRSA02J-102X	MG RESISTOR		
	C 667	NCB21CK-474X	C CAPACITOR				R 275	NRSA02J-102X	MG RESISTOR		
	C 669	QER41AM-227	E CAPACITOR	220MF 20% 10V			R 276	NRSA02J-102X	MG RESISTOR		
	C 673	QER41AM-227	E CAPACITOR	220MF 20% 10V			R 277	NRSA02J-102X	MG RESISTOR		
	C 676	NCB21EK-104X	C CAPACITOR				R 278	NRSA02J-102X	MG RESISTOR		
	C 677	NCB21EK-104X	C CAPACITOR				R 282	NRSA02J-102X	MG RESISTOR		
	C 679	QERFOJM-107Z	E CAPACITOR	100MF 20% 6.3V			R 284	NRSA02J-102X	MG RESISTOR		
	C 680	NCB21EK-104X	C CAPACITOR				R 288	NRSA02J-102X	MG RESISTOR		
	C 691	NCS21HJ-391X	C CAPACITOR				R 289	NRSA02J-102X	MG RESISTOR		
	C 692	NCS21HJ-391X	C CAPACITOR				R 290	NRSA02J-102X	MG RESISTOR		
	C 693	NCB21HK-682X	C CAPACITOR				R 291	NRSA02J-122X	MG RESISTOR		
	C 694	NCB21HK-682X	C CAPACITOR				R 292	NRSA02J-103X	MG RESISTOR		
	C 695	NCB21HK-473X	C CAPACITOR				R 293	NRSA02J-102X	MG RESISTOR		
	C 696	QER41CM-106	E CAPACITOR	10MF 20% 16V			R 294	NRSA02J-102X	MG RESISTOR		
	C 699	QER41AM-227	E CAPACITOR	220MF 20% 10V			R 601	NRSA02J-164X	MG RESISTOR		
	C 801	NCB21HK-153X	C CAPACITOR				R 602	NRSA02J-913X	MG RESISTOR		
	C 802	NCB21HK-472X	C CAPACITOR				R 603	NRSA02J-273X	MG RESISTOR		
	C 811	NCS21HJ-391X	C CAPACITOR				R 604	NRSA02J-913X	MG RESISTOR		
	C 812	NCS21HJ-391X	C CAPACITOR				R 605	NRSA02J-154X	MG RESISTOR		
	C 813	NCS21HJ-391X	C CAPACITOR				R 606	NRSA02J-394X	MG RESISTOR		
	C 814	NCS21HJ-391X	C CAPACITOR				R 611	NRSA02J-562X	MG RESISTOR		
	C 815	QEQF1HM-105Z	NP E CAPACITOR	1.0MF 20% 50V			R 612	NRSA02J-125X	MG RESISTOR		
	C 816	QEQF1HM-225Z	E CAPACITOR	2.2MF 20% 50V			R 613	NRSA02J-562X	MG RESISTOR		
	C 821	NCF21CZ-105X	C CAPACITOR				R 614	NRSA02J-155X	MG RESISTOR		
	C 822	QER41AM-227	E CAPACITOR	220MF 20% 10V			R 615	NRSA02J-222X	MG RESISTOR		
	C 852	QER41CM-106	E CAPACITOR	10MF 20% 16V			R 616	NRSA02J-472X	MG RESISTOR		
	C 855	NCB21EK-104X	C CAPACITOR				R 617	NRSA02J-752X	MG RESISTOR		

■ Electrical parts list (CD servo control board)

Block No. 06

△	Item	Parts number	Parts name	Remarks	Area
	R 631	NRSA02J-2R2X	MG RESISTOR		
	R 632	NRSA02J-100X	MG RESISTOR		
	R 634	NRSA02J-120X	MG RESISTOR		
	R 635	NRSA02J-121X	MG RESISTOR		
	R 636	NRSA02J-910X	MG RESISTOR		
	R 651	NRSA02J-102X	MG RESISTOR		
	R 652	NRSA02J-102X	MG RESISTOR		
	R 653	NRSA02J-102X	MG RESISTOR		
	R 654	NRSA02J-101X	MG RESISTOR		
	R 655	NRSA02J-102X	MG RESISTOR		
	R 656	NRSA02J-102X	MG RESISTOR		
	R 657	NRSA02J-102X	MG RESISTOR		
	R 658	NRSA02J-102X	MG RESISTOR		
	R 659	NRSA02J-102X	MG RESISTOR		
	R 660	NRSA02J-102X	MG RESISTOR		
	R 661	NRSA02J-102X	MG RESISTOR		
	R 662	NRSA02J-683X	MG RESISTOR		
	R 663	NRSA02J-124X	MG RESISTOR		
	R 664	NRSA02J-331X	MG RESISTOR		
	R 665	NRSA02J-271X	MG RESISTOR		
	R 666	NRSA02J-221X	MG RESISTOR		
	R 667	NRSA02J-4R7X	MG RESISTOR		
	R 669	NRSA02J-562X	MG RESISTOR		
	R 670	NRSA02J-101X	MG RESISTOR		
	R 671	NRSA02J-101X	MG RESISTOR		
	R 672	NRSA02J-101X	MG RESISTOR		
	R 673	NRSA02J-101X	MG RESISTOR		
	R 674	NRSA02J-101X	MG RESISTOR		
	R 675	NRSA02J-101X	MG RESISTOR		
	R 676	NRSA02J-101X	MG RESISTOR		
	R 677	NRSA02J-102X	MG RESISTOR		
	R 678	NRSA02J-102X	MG RESISTOR		
	R 679	NRSA02J-680X	MG RESISTOR		
	R 682	NRSA02J-102X	MG RESISTOR		
	R 683	NRSA02J-105X	MG RESISTOR		
	R 685	NRSA02J-683X	MG RESISTOR		
	R 686	NRSA02J-102X	MG RESISTOR		
	R 687	NRSA02J-102X	MG RESISTOR		
	R 688	NRSA02J-102X	MG RESISTOR		
	R 691	NRSA02J-183X	MG RESISTOR		
	R 692	NRSA02J-183X	MG RESISTOR		
	R 693	NRSA02J-183X	MG RESISTOR		
	R 694	NRSA02J-183X	MG RESISTOR		
	R 695	NRSA02J-243X	MG RESISTOR		
	R 696	NRSA02J-243X	MG RESISTOR		
	R 697	NRSA02J-243X	MG RESISTOR		
	R 698	NRSA02J-243X	MG RESISTOR		
	R 701	NRSA02J-821X	MG RESISTOR		
	R 702	NRSA02J-821X	MG RESISTOR		
	R 703	NRSA02J-103X	MG RESISTOR		
	R 704	NRSA02J-103X	MG RESISTOR		
	R 705	NRSA02J-562X	MG RESISTOR		
	R 706	NRSA02J-202X	MG RESISTOR		
	R 707	NRSA02J-682X	MG RESISTOR		
	R 708	NRSA02J-101X	MG RESISTOR		
	R 709	NRSA02J-101X	MG RESISTOR		
	R 710	NRSA02J-221X	MG RESISTOR		
	R 801	NRSA02J-272X	MG RESISTOR		
	R 802	NRSA02J-392X	MG RESISTOR		
	R 803	NRSA02J-912X	MG RESISTOR		
	R 804	NRSA02J-224X	MG RESISTOR		
	R 805	NRSA02J-133X	MG RESISTOR		
	R 806	NRSA02J-243X	MG RESISTOR		

△	Item	Parts number	Parts name	Remarks	Area
	R 807	NRSA02J-122X	MG RESISTOR		
	R 808	NRSA02J-273X	MG RESISTOR		
	R 809	NRSA02J-122X	MG RESISTOR		
	R 811	NRSA02J-473X	MG RESISTOR		
	R 812	NRSA02J-332X	MG RESISTOR		
	R 813	NRSA02J-152X	MG RESISTOR		
	R 831	NRSA02J-151X	MG RESISTOR		
	R 832	NRSA02J-103X	MG RESISTOR		
	R 842	NRSA02J-472X	MG RESISTOR		
	R 851	NRSA02J-102X	MG RESISTOR		
	R 852	NRSA02J-102X	MG RESISTOR		
	R 853	NRSA02J-102X	MG RESISTOR		
	R 854	NRSA02J-102X	MG RESISTOR		
	R 855	NRSA02J-102X	MG RESISTOR		
	R 856	NRSA02J-102X	MG RESISTOR		
	R 857	NRSA02J-272X	MG RESISTOR		
	R 859	NRSA02J-181X	MG RESISTOR		
	R 861	NRSA02J-102X	MG RESISTOR		
	R 862	NRSA02J-102X	MG RESISTOR		
	R 863	NRSA02J-102X	MG RESISTOR		
	R 864	NRSA02J-102X	MG RESISTOR		
	R 865	NRSA02J-102X	MG RESISTOR		
	R 866	NRSA02J-102X	MG RESISTOR		
	R 871	NRSA02J-223X	MG RESISTOR		
	R 872	NRSA02J-223X	MG RESISTOR		
	R 873	NRSA02J-223X	MG RESISTOR		
	R 874	NRSA02J-223X	MG RESISTOR		
	R 875	NRSA02J-223X	MG RESISTOR		
	R 876	NRSA02J-223X	MG RESISTOR		
	R 880	NRSA02J-102X	MG RESISTOR		
	R 881	NRSA02J-102X	MG RESISTOR		
	R 882	NRSA02J-102X	MG RESISTOR		
	R 883	NRSA02J-102X	MG RESISTOR		
	R 884	NRSA02J-102X	MG RESISTOR		
	R 885	NRSA02J-102X	MG RESISTOR		
	R 886	NRSA02J-102X	MG RESISTOR		
	R 887	NRSA02J-102X	MG RESISTOR		
	R 888	NRSA02J-223X	MG RESISTOR		
	R 889	NRSA02J-223X	MG RESISTOR		
	R 890	NRSA02J-223X	MG RESISTOR		
	R 891	NRSA02J-223X	MG RESISTOR		
	R 892	NRSA02J-223X	MG RESISTOR		
	R 893	NRSA02J-223X	MG RESISTOR		
	R 894	NRSA02J-223X	MG RESISTOR		
	R 895	NRSA02J-223X	MG RESISTOR		
	W 601	QUB220-07HPDT	SIN TWIST WIRE		
	X 251	QAX0246-001Z	RESONATOR		
	X 651	QAX0413-001Z	CRYSTAL		

■ Electrical parts list (CD select switch board)

Block No. 07

△	Item	Parts number	Parts name	Remarks	Area
	CN804	QGB2016J1-07	CONNECTOR		
	SW 1	QSW0859-001	LEVER SWITCH		
	SW 2	QSW0859-001	LEVER SWITCH		
	SW 3	QSW0859-001	LEVER SWITCH		
	SW 4	QSW0859-001	LEVER SWITCH		
	SW 5	QSW0859-001	LEVER SWITCH		
	SW 6	QSW0859-001	LEVER SWITCH		

■ Electrical parts list (Head amplifier board)

Block No. 08

△	Item	Parts number	Parts name	Remarks	Area	△	Item	Parts number	Parts name	Remarks	Area
	C 101	NCS21HJ-561X	C CAPACITOR				C 339	QEKJ1CM-476Z	E CAPACITOR	47MF 20% 16V	
	C 102	NCS21HJ-331X	C CAPACITOR				C 340	NCB21HK-103X	C CAPACITOR		
	C 103	NCS21HJ-561X	C CAPACITOR				C 341	QEKJ1AM-107Z	E CAPACITOR	100MF 20% 10V	
	C 104	NCS21HJ-221X	C CAPACITOR				C 342	QEKJ1EM-475Z	E CAPACITOR	4.7MF 20% 25V	
	C 105	QEKJ0JM-227Z	E CAPACITOR	220MF 20% 6.3V			C 343	QETC1CM-106Z	E CAPACITOR	10MF 20% 16V	
	C 106	NCB21HK-333X	C CAPACITOR				C 344	NCB21HK-472X	C CAPACITOR		
	C 107	QEKJ1EM-475Z	E CAPACITOR	4.7MF 20% 25V			C 345	NCS21HJ-331X	C CAPACITOR		
	C 108	NCB21HK-393X	C CAPACITOR				C 350	QFLM1HJ-102Z	M CAPACITOR	1000PF 5% 50V	
	C 110	NCS21HJ-221X	C CAPACITOR				CN301	QGF1205F1-06	CONNECTOR		
	C 111	QEKJ1HM-104Z	E CAPACITOR	0.1MF 20% 50V			CN302	QGF1205F1-06	CONNECTOR		
	C 112	QEKJ1CM-106Z	E CAPACITOR	10MF 20% 16V			CN303	QGB2011M1-10	B TO B CONNECTO		
	C 113	NCB21HK-332X	C CAPACITOR				CN304	QGB2011M1-10	B TO B CONNECTO		
	C 114	QEKJ1EM-475Z	E CAPACITOR	4.7MF 20% 25V			CN305	QGF1205F1-10	CONNECTOR		
	C 115	NCB21HK-153X	C CAPACITOR				CN306	QGF1205F1-11	CONNECTOR		
	C 116	NCB21HK-822X	C CAPACITOR				D 307	HZM5.1NB2-X	CHIP Z DIODE CM		
	C 117	NCB21HK-223X	C CAPACITOR				D 308	HZM5.1NB2-X	CHIP Z DIODE CM		
	C 119	NCB21HK-563X	C CAPACITOR				D 309	MA704A-X	S.K.DIODE		
	C 120	NCS21HJ-330X	C CAPACITOR				IC301	BA3126N	IC		
	C 201	NCS21HJ-561X	C CAPACITOR				IC302	AN7345K	IC		
	C 202	NCS21HJ-331X	C CAPACITOR				IC303	BU4094BCF-X	IC		
	C 203	NCS21HJ-561X	C CAPACITOR				IC304	BU4094BCF-X	IC		
	C 204	NCS21HJ-221X	C CAPACITOR				L 202	QQR0779-001Z	INDUCTOR		
	C 205	QEKJ0JM-227Z	E CAPACITOR	220MF 20% 6.3V			L 301	QQR0620-001	OSC COIL(BIAS)		
	C 206	NCB21HK-333X	C CAPACITOR				L 303	QQL01BK-100Z	INDUCTOR		
	C 207	QEKJ1EM-475Z	E CAPACITOR	4.7MF 20% 25V			Q 102	DTC144TKA-X	TRANSISTOR		
	C 208	NCB21HK-393X	C CAPACITOR				Q 103	DTC144EKA-X	TRANSISTOR		
	C 210	NCS21HJ-221X	C CAPACITOR				Q 105	2SC3576-JVC-T	TRANSISTOR		
	C 211	QEKJ1HM-104Z	E CAPACITOR	0.1MF 20% 50V			Q 202	DTC144TKA-X	TRANSISTOR		
	C 212	QEKJ1CM-106Z	E CAPACITOR	10MF 20% 16V			Q 203	DTC144EKA-X	TRANSISTOR		
	C 213	NCB21HK-332X	C CAPACITOR				Q 205	2SC3576-JVC-T	TRANSISTOR		
	C 214	QEKJ1EM-475Z	E CAPACITOR	4.7MF 20% 25V			Q 302	2SC2001/K/-T	TRANSISTOR		
	C 215	NCB21HK-153X	C CAPACITOR				Q 303	2SC2001/K/-T	TRANSISTOR		
	C 216	NCB21HK-822X	C CAPACITOR				Q 304	2SC3576-JVC-T	TRANSISTOR		
	C 217	NCB21HK-223X	C CAPACITOR				Q 305	2SC3576-JVC-T	TRANSISTOR		
	C 219	NCB21HK-563X	C CAPACITOR				Q 306	2SC2412K/RS/-X	CHIP TRANSISTOR		
	C 220	NCS21HJ-330X	C CAPACITOR				Q 307	2SC2412K/RS/-X	CHIP TRANSISTOR		
	C 301	QEKJ1CM-106Z	E CAPACITOR	10MF 20% 16V			Q 308	2SC2412K/RS/-X	CHIP TRANSISTOR		
	C 302	QEKJ1CM-476Z	E CAPACITOR	47MF 20% 16V			Q 309	2SC2412K/RS/-X	CHIP TRANSISTOR		
	C 303	QEKJ1CM-226Z	E CAPACITOR	22MF 20% 16V			Q 312	2SB562/C/-T	TRANSISTOR		
	C 304	QEKJ1EM-475Z	E CAPACITOR	4.7MF 20% 25V			Q 313	2SC2412K/RS/-X	CHIP TRANSISTOR		
	C 305	NCB21HK-393X	C CAPACITOR				Q 314	2SB562/C/-T	TRANSISTOR		
	C 306	QEKJ0JM-227Z	E CAPACITOR	220MF 20% 6.3V			Q 315	2SC2412K/RS/-X	CHIP TRANSISTOR		
	C 308	NCB21HK-562X	C CAPACITOR				Q 316	2SA952/LK/-T	TRANSISTOR		
	C 309	NCB21HK-562X	C CAPACITOR				Q 317	DTC124EKA-X	TRANSISTOR		
	C 310	NCB21HK-223X	C CAPACITOR				Q 321	DTC144EKA-X	TRANSISTOR		
	C 311	NCB21HK-682X	C.CAPACITOR				Q 322	DTC144EKA-X	TRANSISTOR		
	C 313	QEKJ1AM-107Z	E CAPACITOR	100MF 20% 10V			Q 323	2SC2412K/RS/-X	CHIP TRANSISTOR		
	C 314	QCZ0205-155Z	ML C CAPACITOR	1.5MF			R 102	NRSA02J-102X	MG RESISTOR		
	C 315	QCZ0205-155Z	ML C CAPACITOR	1.5MF			R 103	NRSA02J-183X	MG RESISTOR		
	C 316	QFG32AJ-103Z	PP CAPACITOR	0.01MF 5% 100V			R 105	NRSA02J-220X	MG RESISTOR		
	C 318	NCB21HK-103X	C CAPACITOR				R 106	NRSA02J-392X	MG RESISTOR		
	C 319	QFG32AJ-821Z	PP CAPACITOR	820PF 5% 100V			R 107	NRSA02J-123X	MG RESISTOR		
	C 321	NCB21HK-103X	C CAPACITOR				R 108	NRSA02J-222X	MG RESISTOR		
	C 322	QFG32AJ-152Z	PP CAPACITOR	1500PF 5% 100V			R 109	NRSA02J-152X	MG RESISTOR		
	C 327	QEKJ1CM-476Z	E CAPACITOR	47MF 20% 16V			R 111	NRSA02J-562X	MG RESISTOR		
	C 328	NCS21HJ-151X	C CAPACITOR				R 112	NRSA02J-122X	MG RESISTOR		
	C 329	NCS21HJ-151X	C CAPACITOR				R 113	NRSA02J-271X	MG RESISTOR		
	C 330	NCS21HJ-151X	C CAPACITOR				R 114	NRSA02J-391X	MG RESISTOR		
	C 332	NCS21HJ-151X	C CAPACITOR				R 115	NRSA02J-332X	MG RESISTOR		
	C 335	NCB21HK-103X	C CAPACITOR				R 117	NRSA02J-332X	MG RESISTOR		
	C 336	NCB21HK-103X	C CAPACITOR				R 118	NRSA02J-152X	MG RESISTOR		
	C 337	NCB21HK-103X	C CAPACITOR				R 119	NRSA02J-203X	MG RESISTOR		
	C 338	NCB21HK-103X	C CAPACITOR				R 120	NRSA02J-102X	MG RESISTOR		

■ Electrical parts list (Head amplifier board)

Block No. 08

△	Item	Parts number	Parts name	Remarks	Area
	R 121	NRSA02J-122X	MG RESISTOR		
	R 202	NRSA02J-102X	MG RESISTOR		
	R 203	NRSA02J-183X	MG RESISTOR		
	R 205	NRSA02J-220X	MG RESISTOR		
	R 206	NRSA02J-392X	MG RESISTOR		
	R 207	NRSA02J-123X	MG RESISTOR		
	R 208	NRSA02J-222X	MG RESISTOR		
	R 209	NRSA02J-152X	MG RESISTOR		
	R 211	NRSA02J-562X	MG RESISTOR		
	R 212	NRSA02J-122X	MG RESISTOR		
	R 213	NRSA02J-271X	MG RESISTOR		
	R 214	NRSA02J-391X	MG RESISTOR		
	R 215	NRSA02J-332X	MG RESISTOR		
	R 217	NRSA02J-332X	MG RESISTOR		
	R 218	NRSA02J-152X	MG RESISTOR		
	R 219	NRSA02J-203X	MG RESISTOR		
	R 220	NRSA02J-102X	MG RESISTOR		
	R 221	NRSA02J-122X	MG RESISTOR		
	R 301	NRS181J-221X	MG RESISTOR		
	R 302	NRS181J-101X	MG RESISTOR		
	R 304	NRSA02J-393X	MG RESISTOR		
	R 305	NRSA02J-103X	MG RESISTOR		
	R 306	NRSA02J-103X	MG RESISTOR		
	R 307	NRSA02J-103X	MG RESISTOR		
	R 308	NRSA02J-152X	MG RESISTOR		
	R 309	NRSA02J-152X	MG RESISTOR		
	R 310	NRS181J-820X	MG RESISTOR		
	R 311	NRS181J-820X	MG RESISTOR		
	R 313	NRSA02J-3R3X	MG RESISTOR		
	R 314	NRSA02J-223X	MG RESISTOR		
	R 315	NRSA02J-100X	MG RESISTOR		
	R 316	NRSA02J-223X	MG RESISTOR		
	R 317	NRSA02J-100X	MG RESISTOR		
	R 318	NRSA02J-123X	MG RESISTOR		
	R 319	NRSA02J-152X	MG RESISTOR		
	R 321	NRSA02J-123X	MG RESISTOR		
	R 322	NRSA02J-152X	MG RESISTOR		
	R 327	NRSA02J-474X	MG RESISTOR		
	R 328	NRSA02J-222X	MG RESISTOR		
	R 329	NRSA02J-222X	MG RESISTOR		
	R 330	NRSA02J-0R0X	MG RESISTOR		
	R 335	NRSA02J-222X	MG RESISTOR		
	R 336	NRSA02J-392X	MG RESISTOR		
	R 338	NRSA02J-222X	MG RESISTOR		
	R 339	NRSA02J-222X	MG RESISTOR		
	R 341	NRSA02J-222X	MG RESISTOR		
	R 343	NRSA02J-0R0X	MG RESISTOR		
	R 345	NRSA02J-222X	MG RESISTOR		
	R 346	NRSA02J-0R0X	MG RESISTOR		
	R 347	NRSA02J-392X	MG RESISTOR		
	R 348	NRSA02J-222X	MG RESISTOR		
	R 350	NRSA02J-472X	MG RESISTOR		
	R 351	NRSA02J-151X	MG RESISTOR		
	R 353	NRSA02J-472X	MG RESISTOR		
	R 354	NRSA02J-151X	MG RESISTOR		
	R 355	NRSA02J-332X	MG RESISTOR		
	R 357	NRSA02J-103X	MG RESISTOR		
	R 358	NRSA02J-222X	MG RESISTOR		
	R 359	NRSA02J-123X	MG RESISTOR		
	R 360	NRSA02J-433X	MG RESISTOR		
	R 361	NRSA02J-183X	MG RESISTOR		
	R 362	NRSA02J-123X	MG RESISTOR		
	R 363	NRSA02J-183X	MG RESISTOR		

△	Item	Parts number	Parts name	Remarks	Area
	R 364	NRSA02J-433X	MG RESISTOR		
	R 365	NRSA02J-203X	MG RESISTOR		
	R 366	NRSA02J-123X	MG RESISTOR		
	R 367	NRSA02J-102X	MG RESISTOR		
	R 368	NRSA02J-391X	MG RESISTOR		
	R 369	NRSA02J-391X	MG RESISTOR		
	R 371	NRS181J-222X	MG RESISTOR		
	R 374	NRSA02J-912X	MG RESISTOR		
	R 375	NRSA02J-683X	MG RESISTOR		
	R 376	NRS181J-6R8X	MG RESISTOR		
	VR101	QVP0008-503Z	SEMI.V.RESISTOR		
	VR201	QVP0008-503Z	SEMI.V.RESISTOR		
	VR301	QVP0008-103Z	SEMI.V.RESISTOR		
	WIRE	EWR34D-10CS	FLAT WIRE		

■ Electrical parts list (Cassette switch board)

Block No. 09

△	Item	Parts number	Parts name	Remarks	Area
	CN 1	QGB2011L1-10	B TO B CONNECTO		
	D 1	1SR139-400-T2	SI DIODE		
	IC 1	SG-105F3-BB,C	PHOTO SENSER		
	P 1	QNZ0104-001	POST PIN		
	SW 2	QSW0832-001	LEAF SWITCH	TAPE	
	SW 4	QSW0832-001	LEAF SWITCH	70U	
	SW 6	QSW0859-001	DETECT SWITCH		

■ Electrical parts list (Cassette switch board)

Block No. 10

△	Item	Parts number	Parts name	Remarks	Area
	CN 1	QGB2011L1-10	B TO B CONNECTO		
	D 1	1SR139-400-T2	SI DIODE		
	IC 1	SG-105F3-BB,C	PHOTO SENSER		
	P 1	QNZ0104-001	POST PIN		
	SW 1	QSW0832-001	LEAF SWITCH	R.REC	
	SW 2	QSW0832-001	LEAF SWITCH	TAPE	
	SW 4	QSW0832-001	LEAF SWITCH	70U	
	SW 5	QSW0832-001	LEAF SWITCH	F.REC	
	SW 6	QSW0859-001	DETECT SWITCH		

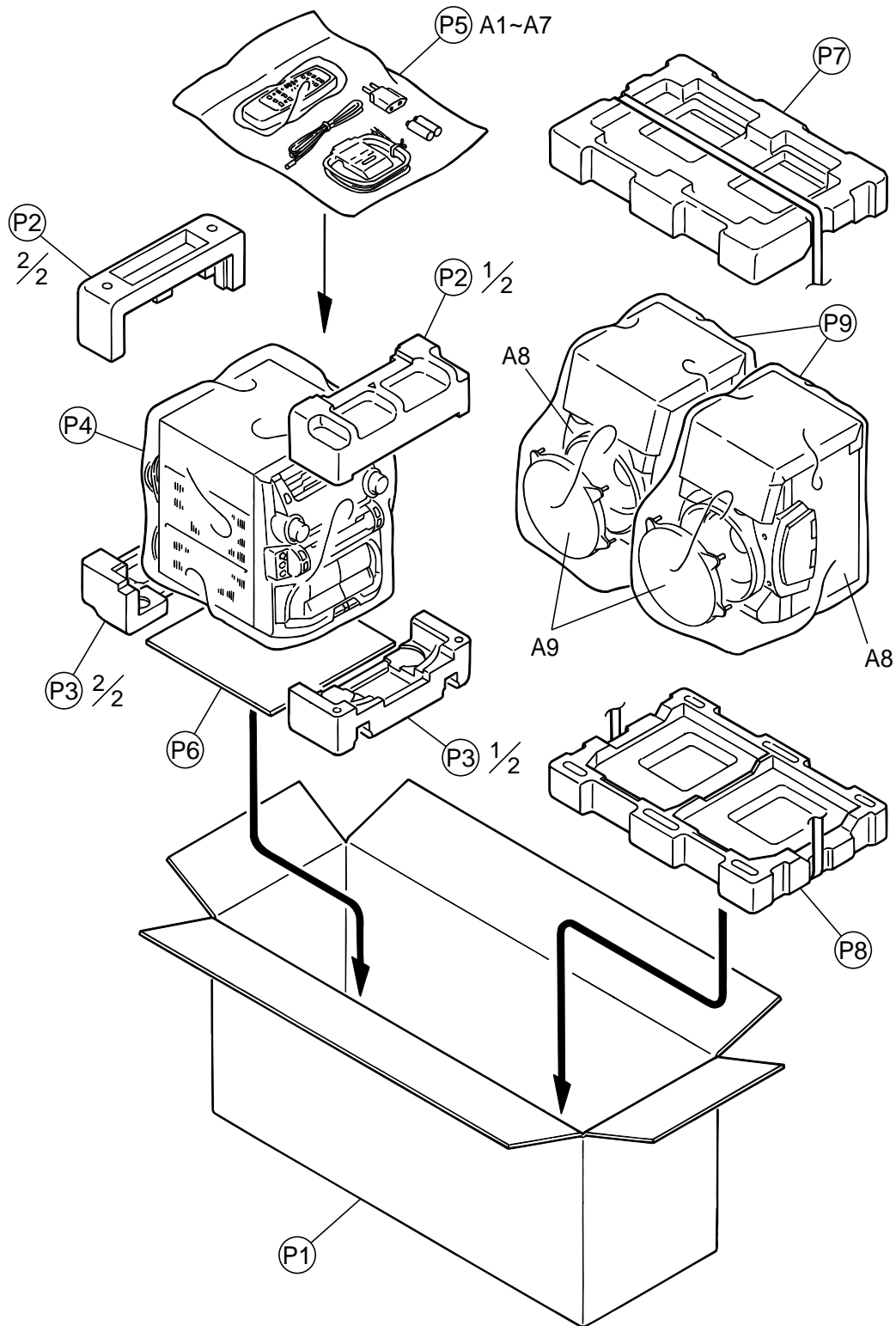
Packing materials and accessories parts list

Block No.

M	5	M	M
---	---	---	---

Block No.

M	6	M	M
---	---	---	---



■ Parts list (Packing)

Block No. M5MM

△	Item	Parts number	Parts name	Q'ty	Description	Area
	P 1	GV20090-001A	PACKING CASE	1	MX-J570V	
		GV20090-002A	PACKING CASE	1	MX-J680V	
	P 2	GV10034-001A	CUSHION UPPER	1		
	P 3	GV10035-001A	CUSHION BOTTOM	1		
	P 4	QPC06507015P	POLY BAG	1		
	P 5	QPC02503515P	POLY BAG	1		
	P 6	GV40100-001A	CORRUGATED	1		
	P 7	139765161042	UPPER CUSHION	1	SPEAKER	
	P 8	139765161043	BOTTOM CUSHION	1	SPEAKER	
	P 9	138736001066	POLY BAG	2	MX-J570V	
		138736001068	POLY BAG	2	MX-J680V	

■ Parts list (Accessories)

Block No. M6MM

△	Item	Parts number	Parts name	Q'ty	Description	Area
	A 1	GVT0045-001A	INST BOOK	1	ENG,CHI,ARA	
	A 2	QAL0014-001	AM LOOP ANT	1		
	A 3	EWP503-001	ANT.WIRE	1		
	A 4	VMZ0139-001	CONTHI PLUG	1		
	A 5	QAM0216-001	SIGNAL CORD	1		
	A 6	RM-SMXJ570V	REMOCON	1		
	A 7	-----	BATTERY	1		
	A 8	MXJ570K-SPBOX-L	SPEAKER BOX(L)	1	SP-MXJ570V	
		MXJ570K-SPBOX-R	SPEAKER BOX(R)	1	SP-MXJ570V	
		MXJ680K-SPBOX-L	SPEAKER BOX(L)	1	SP-MXJ680V	
		MXJ680K-SPBOX-R	SPEAKER BOX(R)	1	SP-MXJ680V	
	A 9	199732080098	SPEAKER NET(L)	1	SP-MXJ570V	
		199732080101	SPEAKER NET(R)	1	SP-MXJ570V	
		199732080110	SPEAKER NET(L)	1	SP-MXJ680V	
		199732080111	SPEAKER NET(R)	1	SP-MXJ680V	